

TOVEY

ENGINEERING INNOVATION

Product Catalog



**Load Cells and Force/Torque Calibration Systems
When Performance and Quality Matter Most**

V.5.13 © 2019 Tovey Engineering, Inc.


TABLE OF CONTENTS

PRODUCTS				
METROLOGY GRADE FORCE TRANSDUCERS				
	Model	Capacity U.S. lbf	Metric	Page
Calibration Standard	CS	300 - 100K lbf	1.5 - 500 kN	6 - 7
Calibration Standard High Capacity	CS	200K - 1000K lbf	1000 - 4500 kN	8 - 9
GENERAL PURPOSE LOAD CELLS				
Shear Web	SW	300 - 100K lbf	1.5 - 500 kN	10 - 11
Shear Web High Capacity	SW	200K - 1000K lbf	1000 - 4500 kN	12 - 13
Shear Web Compression Only	SW	300 - 200K lbf	1.5 - 1000 kN	14 - 15
Rod End	2202-2206	5K - 25K lbf		16 - 17
PRECISION SHEAR WEB LOAD CELLS				
Precision	SWP	300 - 100K lbf	1.5 - 500 kN	18 - 19
Precision High Capacity	SWP	200K - 1000K lbf	1000 - 4500 kN	20 - 21
FATIGUE RATED LOAD CELLS				
Fatigue Rated Low Capacity	FR5	25 - 300 lbf	125 - 1500 N	22
Fatigue Rated	FR	150 - 50K lbf	750 - 250 kN	24 - 25
Fatigue Rated High Capacity	FR	100K - 500K lbf	500 - 2250 kN	26 - 27
MULTI-AXIS LOAD CELLS				
Axial Force and Torque	SWT	300/150 lbf/lbf-in 10K/3K lbf/lbf-in		28 - 29
Axial Force and Moment	SW-XYZ	500 - 50K lbf		30 - 31
COLUMN CELLS				
Universal Column High Capacity	5000	100K - 1000K lbf		32 - 33
Compression Column High Capacity	5100	100K - 1000K lbf		34 - 35
Universal 4 Column High Capacity	5200	100K - 1000K lbf		36 - 37
HARSH ENVIROMENT LOAD CELLS				
Stainless Steel Shear Web	SWS	5K - 100K lbf	25-500 kN	38 - 39
Fatigue Stainless Shear Web	FRS	2.5K - 25K lbf	12.5 - 125 kN	40 - 41
Low Height Column	2029/2030	500 - 7.5K lbf		42
Compact Stainless Steel Compression	2121	10K, 25K lbf	45, 100 kN	43
Low Height Stainless	4110/4115	500 - 5K lbf		44
General Purpose Stainless	4120/4125	10K - 20K lbf		45

TABLE OF CONTENTS

PRODUCTS				
MINIATURE LOAD CELLS				
	Model	Capacity U.S. lbf	Metric	Page
Premium S-Type	SSC	500 - 5K lbf		46
Overload Protected S-Type	SCT	2.2 - 225 lbf	10-1000 N	47
Low Height S-Beam	SLH	10 - 1K lbf		48
Load Washers	LW	2K - 10K lbf		49
REACTION TORQUE LOAD CELL				
Miniature Reaction Torque	RT	25 - 500 lbf-in		50
INSTRUMENTS				
High Precision Indicator	9150	----		52
High Precision Indicator	9150-X-300	----		53
Portable Indicator	7230	----		54
Sealed Indicator	7120	----		55
Strain Gage Amplifier	SGA	----		56
LOAD CELL SIMULATORS				
Reference Std. Simulator	TS-10-2	----		57
ACCESSORIES AND OPTIONS				
Load Buttons	LB	----		59
Calibration Adapters & Compression Plates	TAMM/ CP	----		58-59
Interconnect Cables and Connectors	CBL/MC			59
Thread Adapters, Couplers and Jam Nuts	TAMF/ TAFF/JN	----		58
Transportation Cases	TC			60
Options Description	----	----		61
CUSTOM AND ADVANCED				
Alignment and Dynamic Verification Transducers	----	----		62
Component Strain Gage Service	----	----		63
CALIBRATION				
CALIBRATION SERVICES	----	----		70
CALIBRATION SYSTEMS	----	----		64 - 69
TERMS				
Terms and Conditions & Warranty	----	----		71

CALIBRATION STANDARD (CS) SERIES LOAD CELLS

FEATURES

- Designed for Metrology Lab Use
- Meets ASTM E74 Class A to 2% of Range, Class AA to 10% of Range (When Calibrated with Primary Standards)
- Lowest Creep
- Lowest Reproducibility Errors
- Includes ASTM E74 Transfer Standard Tension & Compression Calibration
- Temperature Compensated
- Proprietary Modulus Compensated Strain Gages
- Low Sensitivity to Rotation Error



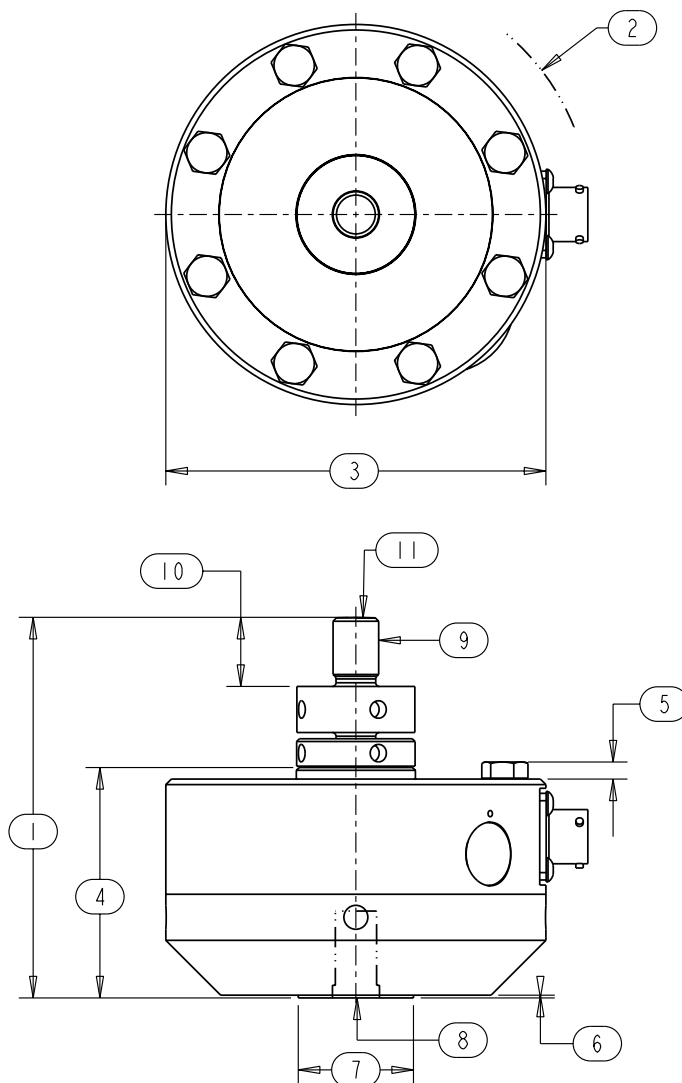
SPECIFICATIONS

Model	CS10 300, 500, 1K, 2K	CS10 5K, 10K	CS20 25K, 50K	CS22 60K	CS30 100K
Capacity U.S. lbf.					
Capacity Metric kN	1.5, 2.5, 5, 10	25, 50	100, 250	270	300, 500
PARAMETERS					
ACCURACY					
Lower Load Limit % Rated Output	2.000	2.000	2.000	2.000	2.000
Static Error Band, % Rated Output	+/-0.020	+/-0.025	+/-0.025	+/-0.030	+/-0.030
Nonlinearity, % Rated Output	+/-0.020	+/-0.030	+/-0.030	+/-0.030	+/-0.030
Hysteresis, % Rated Output	+/-0.020	+/-0.040	+/-0.045	+/-0.040	+/-0.040
Nonrepeatability, % Rated Output	+/-0.005	+/-0.005	+/-0.005	+/-0.005	+/-0.005
Creep, % in 20 minutes	+/-0.010	+/-0.010	+/-0.010	+/-0.010	+/-0.010
Off-Center Load Sensitivity, %/inch	+/-0.050	+/-0.050	+/-0.050	+/-0.050	+/-0.050
Side Load Sensitivity, %	+/-0.050	+/-0.050	+/-0.050	+/-0.050	+/-0.050
Zero Balance, % Rated Output	+/-1.0	+/-1.0	+/-1.0	+/-1.0	+/-1.0
TEMPERATURE					
Range, Compensated, °F	+15 to +115	+15 to +115	+15 to +115	+15 to +115	+15 to +115
Range, Compensated, °C	-10 to +45	-10 to +45	-10 to +45	-10 to +45	-10 to +45
Range, Operating, °F	-65 to +200	-65 to +200	-65 to +200	-65 to +200	-65 to +200
Range, Operating, °C	-55 to +90	-55 to +90	-55 to +90	-55 to +90	-55 to +90
Effect on Sensitivity, % Rdg/ °F	+/-0.0008	+/-0.0008	+/-0.0008	+/-0.0008	+/-0.0008
Effect on Sensitivity, % Rdg/ °C	+/-0.0015	+/-0.0015	+/-0.0015	+/-0.0015	+/-0.0015
Effect on Zero, % Rated Output/ ° F	+/-0.0008	+/-0.0008	+/-0.0008	+/-0.0008	+/-0.0008
Effect on Zero, % Rated Output/ ° C	+/-0.0015	+/-0.0015	+/-0.0015	+/-0.0015	+/-0.0015
ELECTRICAL					
Rated Output, mV/V, Nominal	2	4	4	4	4
Excitation Voltage, VDC Maximum	20	20	20	20	20
Input Resistance, Ohms	350	350	350	350	350
Output Resistance, Ohms	350	350	350	350	350
Insulation Resistance, Megohm	5000	5000	5000	5000	5000
Bayonet Connector	PT02E-10-6P (MS3112E-10-6P)				
MECHANICAL					
Safe Overload Range, % Rated Capacity	+/-150	+/-150	+/-150	+/-150	+/-150
Weight lb	2.8	6.9	23.6	29.6	57.8
Weight kg	1.3	3.1	10.8	13.4	26.2
Flexure Material	Aluminum	Steel	Steel	Steel	Steel

CALIBRATION STANDARD (CS) SERIES LOAD CELLS

DIMENSIONS

Model	CS10	CS10M	CS10	CS10M	CS20	CS20M	CS22	CS22M	CS30	CS30M
Capacity	300, 500 1K, 2K lbf	1.5, 2.5, 5, 10 kN	5K, 10K lbf	25, 50 kN	25K, 50K lbf	100, 250 kN	60K lbf	270 kN	100K lbf	300, 500 kN
Dimensions	inch	mm	inch	mm	inch	mm	inch	mm	inch	mm
1.	4.13	104.9	4.13	106.7	6.32	160.5	7.68	195	7.85	199.4
2.	R 2.53	R 64.3	R 2.53	R 64.3	R 3.50	R 88.9	R 3.50	R 88.9	R 4.50	R 114.3
3.	4.12	104.8	4.12	104.8	6.06	154	6.06	154.0	8.00	203.2
4.	2.50	63.5	2.50	63.5	3.50	88.9	4.50	114.3	4.50	114.3
5.	0.19	4.7	0.19	4.7	0.30	7.5	0.31	7.9	0.40	10.2
6.	0.03	0.8	0.03	0.8	0.03	0.8	0.03	0.8	0.03	0.8
7.	1.25	31.8	1.25	31.8	2.25	57.2	3.00	76.2	3.00	76.2
8.	1/2 - 20 .88 Deep	M12 x 1.25 22.4 Deep	5/8 - 18 .88 Deep	M16 x 2 22.4 Deep	1 1/4 - 12 1.50 Deep	M33 x 2 38.1 Deep	1 1/2 - 12 2.0 Deep	M36 x 2 30.8 Deep	1 3/4 - 12 1.75 Deep	M42 x 2 44.5 Deep
9.	1/2 - 20	M12 x 1.25	5/8 - 18	M16 x 2	1 1/4 - 12	M33 x 2	1 1/2 - 12	M36 x 2	1 3/4 - 12	M42 x 2
10.	0.75	19.0	0.75	19.0	1.50	38.1	1.50	38.1	1.75	44.5
11.	R 4.00	R 101.6	R 4.00	R 101.6	R 6.00	R 152.4	R 6.00	R 152.4	R 12.00	R 304.8



OPTIONS

- Additional bridges
- Output adjustment to standard
- Compression overload protection
- Integral cable
- Custom connectors
- Connector Protectors

ACCESSORIES

- Mating connector
- Loading fixtures
- Interconnect cable
- Shunt calibration resistor
- Instrumentation

HIGH CAPACITY CALIBRATION STANDARD (CS) SERIES LOAD

FEATURES

- Designed for Metrology Lab Use
- Meets ASTM E74 Class A to 4% of Range, Class AA to 20% of Range (When Calibrated with Primary Standards)
- Guaranteed Maximum Off-Center Load & Moment Error
- Low Creep
- Lowest Reproducibility Errors
- Includes ASTM E74 Tension & Compression Transfer Standard Calibration
- Temperature Compensated
- Proprietary Modulus Compensated Strain Gages



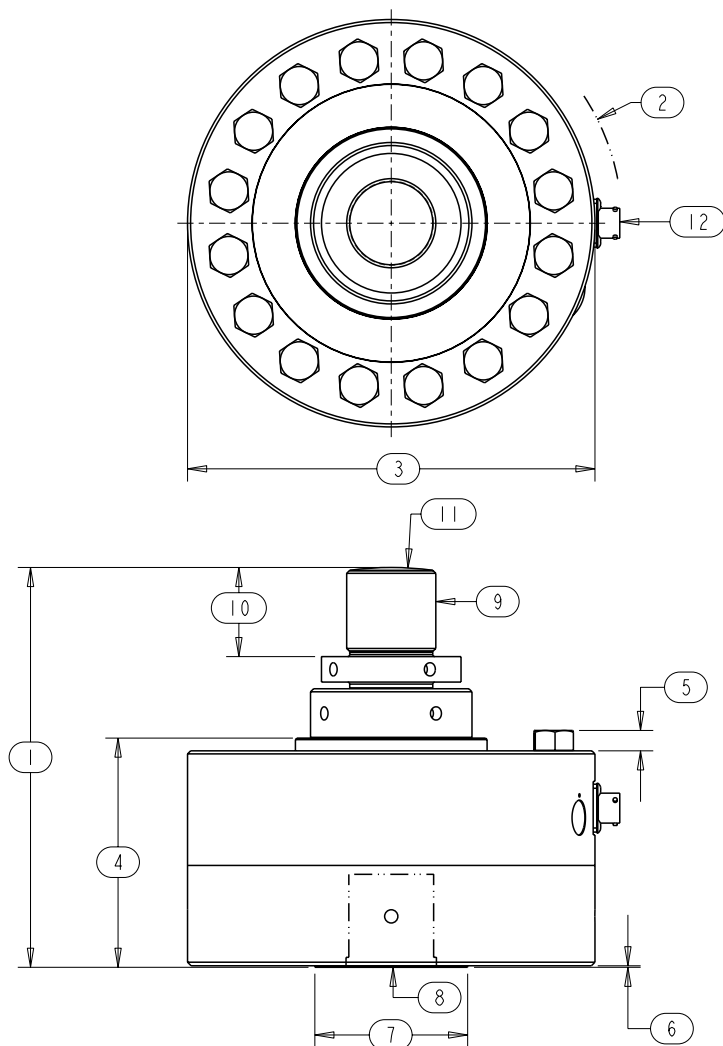
SPECIFICATIONS

Model	CS40	CS42	CS45	CS62	CS80
Capacity U.S. lbf.	200K	270K	300K, 400K	500K, 600K	750K, 1000K
PARAMETERS Metric kN	1000	1200	1400, 1800	2200, 2700	3300, 4500
ACCURACY					
Lower Load Limit % Rated Output	4.000	4.000	4.000	4.000	4.000
Static Error Band, % Rated Output	+/-0.050	+/-0.060	+/-0.100	+/-0.100	+/-0.120
Nonlinearity, % Rated Output	+/-0.050	+/-0.060	+/-0.100	+/-0.100	+/-0.120
Hysteresis, % Rated Output	+/-0.050	+/-0.060	+/-0.100	+/-0.100	+/-0.120
Nonrepeatability, % Rated Output	+/-0.005	+/-0.005	+/-0.010	+/-0.010	+/-0.010
Creep, % in 20 minutes	+/-0.010	+/-0.015	+/-0.015	+/-0.015	+/-0.015
Off-Center Load Sensitivity, %/inch	+/-0.100	+/-0.100	+/-0.200	+/-0.200	+/-0.200
Side Load Sensitivity, %	+/-0.100	+/-0.100	+/-0.200	+/-0.200	+/-0.200
Zero Balance, % Rated Output	+/-1.0	+/-1.0	+/-1.0	+/-1.0	+/-1.0
TEMPERATURE					
Range, Compensated, °F	+15 to +115	+15 to +115	+15 to +115	+15 to +115	+15 to +115
Range, Compensated, °C	-10 to +45	-10 to +45	-10 to +45	-10 to +45	-10 to +45
Range, Operating, °F	-65 to +200	-65 to +200	-65 to +200	-65 to +200	-65 to +200
Range, Operating, °C	-55 to +90	-55 to +90	-55 to +90	-55 to +90	-55 to +90
Effect on Sensitivity, % Rdg/ °F	+/-0.0008	+/-0.0008	+/-0.0008	+/-0.0008	+/-0.0008
Effect on Sensitivity, % Rdg/ °C	+/-0.0015	+/-0.0015	+/-0.0015	+/-0.0015	+/-0.0015
Effect on Zero, % Rated Output/ ° F	+/-0.0008	+/-0.0008	+/-0.0008	+/-0.0008	+/-0.0008
Effect on Zero, % Rated Output/ ° C	+/-0.0015	+/-0.0015	+/-0.0015	+/-0.0015	+/-0.0015
ELECTRICAL					
Rated Output, mV/V, Nominal	4	4	4	4	4
Excitation Voltage, VDC Maximum	20	20	20	20	20
Input Resistance, Ohms	350	350	350	350	350
Output Resistance, Ohms	350	350	350	350	350
Insulation Resistance, Megohm	5000	5000	5000	5000	5000
Bayonet Connector	PT02E-10-6P (MS3112E-10-6P) Included Protector				
MECHANICAL					
Safe Overload Range, % Rated Capacity	+/-150	+/-150	+/-150	+/-150	+/-150
Weight lb	166	176	277	519	660
Weight kg	75	80	125	235	300
Flexure Material	Steel	Steel	Steel	Steel	Steel

HIGH CAPACITY CALIBRATION STANDARD (CS) SERIES LOAD CELLS

DIMENSIONS

Model	CS40	CS40M	CS42	CS42M	CS45	CS45M	CS62	CS62M	CS80	CS80M
Capacity	200K lbf	1000 kN	270K lbf	1200 kN	300K, 400K lbf	1400, 1800 kN	500K, 600K lbf	2200, 2700 kN	750K, 1000K lbf	3300, 4500 kN
Dimensions	inch	mm	inch	mm	inch	mm	inch	mm	inch	mm
1.	11.58	290.6	13.08	332.2	13.87	352.3	17.53	445.3	24.29	616.9
2.	R 6.16	R 156.5	R 6.16	R 156.5	R 6.78	172.2	R 8.65	R 219.7	R 10.89	R 276.6
3.	11.00	279.4	11.00	279.4	12.25	311.2	16.00	406.4	20.50	520.7
4.	6.50	165.1	8.00	203.2	8.75	222.3	10.25	260.4	13.00	330.2
5.	0.60	15.2	0.60	15.2	0.60	15.2	0.92	23.4	.77	19.5
6.	0.03	0.8	0.03	0.8	0.03	0.8	0.03	0.8	0.03	0.8
7.	4.83	122.7	4.83	122.7	5.70	144.8	7.89	200.4	10.00	254
8.	2 ¾ - 8 2.70 Deep	M72 x 2 68.6 Deep	2 ¾ - 8 3.70 Deep	M72 x 2 94.0 Deep	3-12 3.90 Deep	M76 x 2 99.1 Deep	4 - 8 3.65 Deep	M100 x 3 92.7 Deep	6 - 8 5.4 Deep	M150 x 3 137.1 Deep
9.	2 ¾ - 8	M72 x 2	2 ¾ - 8	M72 x 2	3-12	M76 x 2	4 - 8	M100 x 3	6 - 8	M150 x 3
10.	2.50	63.5	2.50	63.5	2.50	63.5	3.50	88.9	4.7	119.3
11.	R 12	R 305	R 12	R 305	R 12	R 305	R 20	R 508	R 20	R 508



OPTIONS

- Additional bridges
- Output adjustment to standard
- Compression overload protection
- Integral cable
- Custom connectors
- Connector Protectors

ACCESSORIES

- Mating connector
- Loading fixtures
- Interconnect cable
- Shunt calibration resistor
- Instrumentation

SHEAR WEB (SW) SERIES LOAD CELLS

FEATURES

- First Choice for Structural and Materials Testing
- Low Height
- Guaranteed Maximum Off-Center Load & Moment Error
- Low Creep
- Low Susceptibility to Magnetic Fields
- Barometric Pressure Compensation
- Output to 4mV/V
- 5pt Tension & Compression Calibration
- Proprietary Modulus Compensated Strain Gages



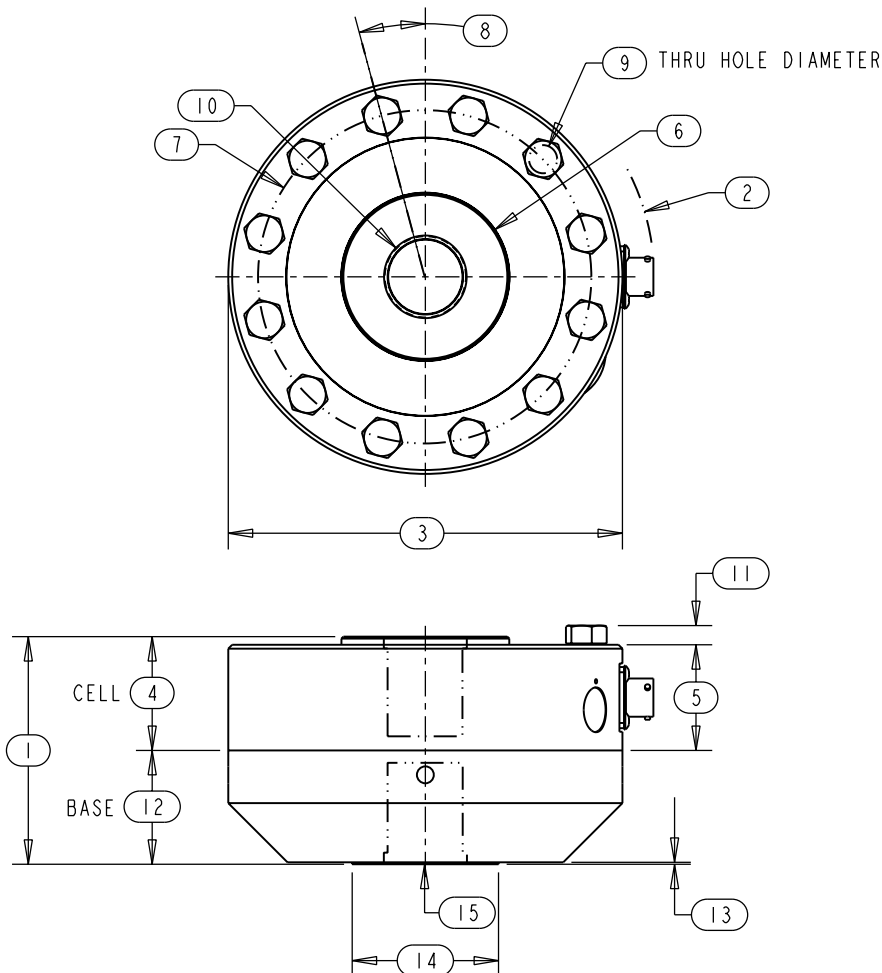
SPECIFICATIONS

Model	SW10 300, 500, 1K, 2K	SW10 5K, 10K	SW20 25K, 50K	SW22 60K	SW30 100K
Capacity U.S. lbf.					
Capacity Metric kN	1.5, 2.5, 5, 10	25, 50	100, 250	270	300, 500
PARAMETERS					
ACCURACY					
Static Error Band, % Rated Output	+/-0.040	+/-0.040	+/-0.040	+/-0.050	+/-0.050
Nonlinearity, % Rated Output	+/-0.040	+/-0.040	+/-0.040	+/-0.050	+/-0.050
Hysteresis, % Rated Output	+/-0.030	+/-0.040	+/-0.050	+/-0.050	+/-0.050
Nonrepeatability, % Rated Output	+/-0.010	+/-0.010	+/-0.010	+/-0.010	+/-0.010
Creep, % in 20 minutes	+/-0.025	+/-0.025	+/-0.025	+/-0.025	+/-0.025
Off-Center Load Sensitivity, %/inch	+/-0.250	+/-0.250	+/-0.250	+/-0.250	+/-0.250
Side Load Sensitivity, %	+/-0.250	+/-0.250	+/-0.250	+/-0.250	+/-0.250
Zero Balance, % Rated Output	+/-1.0	+/-1.0	+/-1.0	+/-1.0	+/-1.0
TEMPERATURE					
Range, Compensated, °F	+15 to +115	+15 to +115	+15 to +115	+15 to +115	+15 to +115
Range, Compensated, °C	-10 to +45	-10 to +45	-10 to +45	-10 to +45	-10 to +45
Range, Operating, °F	-65 to +200	-65 to +200	-65 to +200	-65 to +200	-65 to +200
Range, Operating, °C	-55 to +90	-55 to +90	-55 to +90	-55 to +90	-55 to +90
Effect on Sensitivity, % Rdg/ °F	+/-0.0008	+/-0.0008	+/-0.0008	+/-0.0008	+/-0.0008
Effect on Sensitivity, % Rdg/ °C	+/-0.0015	+/-0.0015	+/-0.0015	+/-0.0015	+/-0.0015
Effect on Zero, % Rated Output/ °F	+/-0.0008	+/-0.0008	+/-0.0008	+/-0.0008	+/-0.0008
Effect on Zero, % Rated Output/ °C	+/-0.0015	+/-0.0015	+/-0.0015	+/-0.0015	+/-0.0015
ELECTRICAL					
Rated Output, mV/V, Nominal	2	4	4	4	4
Excitation Voltage, VDC Maximum	20	20	20	20	20
Input Resistance, Ohms	350	350	350	350	350
Output Resistance, Ohms	350	350	350	350	350
Insulation Resistance, Megohm	5000	5000	5000	5000	5000
Bayonet Connector	PT02E-10-6P (MS3112E-10-6P)				
MECHANICAL					
Safe Overload Range, % Rated Capacity	+/-150	+/-150	+/-150	+/-150	+/-150
Weight lb	1.0	2.9	9.1	13.5	23.5
Weight kg	0.5	1.3	4.1	6.1	10.7
Weight w/base lb	2.5	6.5	21.5	27.5	52.5
Weight w/base kg	1.1	3.0	9.8	12.5	23.8
Flexure Material	Aluminum	Steel	Steel	Steel	Steel

SHEAR WEB (SW) SERIES LOAD CELLS

DIMENSIONS

Model	SW10	SW10M	SW10	SW10M	SW20	SW20M	SW22	SW22M	SW30	SW30M
Capacity	300, 500, 1K, 2K lbf	1.5, 2.5, 5, 10 kN	5K, 10K lbf	25, 50 kN	25K, 50K lbf	100, 250 kN	60K lbf	270 kN	100K lbf	300,500 kN
Dimensions	inch	mm	inch	mm	inch	mm	inch	mm	inch	mm
1.	2.51	63.5	2.51	63.5	3.51	88.9	4.50	114.3	4.50	114.3
2.	R 2.53	R 64.3	R 2.53	R 64.3	R 3.50	R 88.9	R 3.50	R 88.9	R 4.50	R 114.3
3.	4.12	104.8	4.12	104.8	6.06	154.0	6.06	154.0	8.00	203.2
4.	1.38	34.9	1.38	34.9	1.75	44.5	2.25	57.2	2.50	63.5
5.	1.25	31.8	1.25	31.8	1.63	41.3	2.13	54.1	2.25	57.2
6.	1.29	32.8	1.29	32.8	2.34 25K 2.58 50K	59.4 100kN 65.6 250kN	2.58	65.6	3.76	95.6
7.	3.50	88.9	3.50	88.9	5.13	130.3	5.13	130.3	6.50	165.1
8.	22.5°	22.5°	22.5°	22.5°	15°	15°	15°	15°	11.25°	11.25°
9.	.28 8 Places	7.1 8 Places	.28 8 Places	7.1 8 Places	.41 12 Places	10.3 12 Places	.47 12 Places	11.9 12 Places	.53 16 Places	13.5 16 Places
10.	1/2-20 1.12 Deep	M12 x 1.25 28.5 Deep	5/8 - 18 1.12 Deep	M16 x 2 28.5 Deep.	1 1/4 - 12 1.50 Deep	M33x 2 38.1 Deep	1 1/2 - 12 2.0 Deep	M36x 2 50.8 Deep	1 3/4-12 2.20 Deep	M42 x 2 55.9 Deep
11.	0.18	4.7	0.18	4.7	0.29	7.5	0.31	7.9	.40	10.2
12.	1.13	28.6	1.13	28.6	1.75	44.5	2.25	57.2	2.00	50.8
13.	0.03	0.8	0.03	0.8	0.03	0.8	0.03	0.8	0.03	0.8
14.	1.25	31.8	1.25	31.8	2.25	57.2	3.00	76.2	3.00	76.2
15.	1/2-20 .88 Deep	M12 x 1.25 22.4 Deep	5/8 - 18 .88 Deep	M16 x 2 22.4 Deep	1 1/4 - 12 1.50 Deep	M33 x 2 38.1 Deep	1 1/2 - 12 2.00 Deep	M36 x 2 50.8 Deep	1 3/4-12 1.75 Deep	M42 x 2 44.5 Deep



OPTIONS

- Additional bridges
- Output adjustment to standard
- Compression overload protection
- Integral cable
- Custom connectors
- Connector Protectors
- Base

ACCESSORIES

- Mating connector
- Loading fixtures
- Interconnect cable
- Shunt calibration resistor
- Instrumentation

HIGH CAPACITY SHEAR WEB (SW) SERIES LOAD CELLS

FEATURES

- First Choice for Structural and Materials Testing
- Low Height
- Guaranteed Maximum Off-Center Load and Moment Error
- Low Creep
- Low Susceptibility to Magnetic Fields
- Barometric Pressure Compensation
- Output to 4mV/V
- 5pt Tension & Compression Calibration
- Proprietary Modulus Compensated Strain Gages



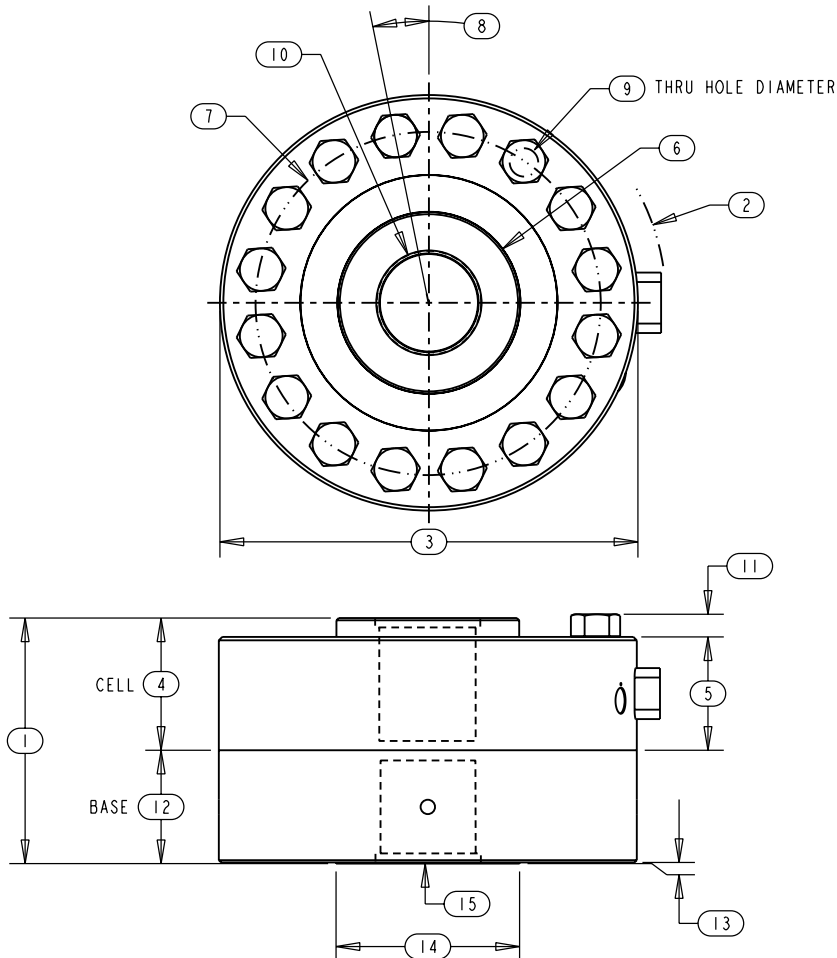
SPECIFICATIONS

Model	SW40	SW42	SW45	SW62	SW80
Capacity U.S. lbf.	200K	270K	300K, 400K	500K, 600K	750K, 1000K
PARAMETERS Metric kN	1000	1200	1400, 1800	2200, 2700	3300, 4500
ACCURACY					
Static Error Band, % Rated Output	+/-0.070	+/-0.070	+/-0.120	+/-0.120	+/-0.150
Nonlinearity, % Rated Output	+/-0.070	+/-0.080	+/-0.120	+/-0.120	+/-0.150
Hysteresis, % Rated Output	+/-0.070	+/-0.080	+/-0.120	+/-0.120	+/-0.150
Nonrepeatability, % Rated Output	+/-0.010	+/-0.020	+/-0.020	+/-0.020	+/-0.020
Creep, % in 20 minutes	+/-0.025	+/-0.025	+/-0.025	+/-0.025	+/-0.025
Off-Center Load Sensitivity, %/inch	+/-0.250	+/-0.250	+/-0.250	+/-0.250	+/-0.250
Side Load Sensitivity, %	+/-0.250	+/-0.250	+/-0.250	+/-0.250	+/-0.250
Zero Balance, % Rated Output	+/-1.0	+/-1.0	+/-1.0	+/-1.0	+/-1.0
TEMPERATURE					
Range, Compensated, °F	+15 to +115	+15 to +115	+15 to +115	+15 to +115	+15 to +115
Range, Compensated, °C	-10 to +45	-10 to +45	-10 to +45	-10 to +45	-10 to +45
Range, Operating, °F	-65 to +200	-65 to +200	-65 to +200	-65 to +200	-65 to +200
Range, Operating, °C	-55 to +90	-55 to +90	-55 to +90	-55 to +90	-55 to +90
Effect on Sensitivity, % Rdg/ °F	+/-0.0008	+/-0.0008	+/-0.0008	+/-0.0008	+/-0.0008
Effect on Sensitivity, % Rdg/ °C	+/-0.0015	+/-0.0015	+/-0.0015	+/-0.0015	+/-0.0015
Effect on Zero, % Rated Output/ °F	+/-0.0008	+/-0.0008	+/-0.0008	+/-0.0008	+/-0.0008
Effect on Zero, % Rated Output/ °C	+/-0.0015	+/-0.0015	+/-0.0015	+/-0.0015	+/-0.0015
ELECTRICAL					
Rated Output, mV/V, Nominal	4	4	4	4	4
Excitation Voltage, VDC Maximum	20	20	20	20	20
Input Resistance, Ohms	350	350	350	350	350
Output Resistance, Ohms	350	350	350	350	350
Insulation Resistance, Megohm	5000	5000	5000	5000	5000
Bayonet Connector	PT02E-10-6P (MS3112E-10-6P) Included Protector				
MECHANICAL					
Safe Overload Range, % Rated Capacity	+/-150	+/-150	+/-150	+/-150	+/-150
Weight lb	74	84	120	245	450
Weight kg	34	38	54	111	204
Weight w/base lb	146	156	250	448	1050
Weight w/base kg	66	71	113	203	476
Flexure Material	Steel	Steel	Steel	Steel	Steel

HIGH CAPACITY SHEAR WEB (SW) SERIES LOAD CELLS

DIMENSIONS

Model	SW40	SW40M	SW42	SW42M	SW45	SW45M	SW62	SW62M	SW80	SW80M
Capacity	200K lbf	1000 kN	270K lbf	1200 kN	300K, 400K lbf	1400, 1800 kN	500K, 600K lbf	2200, 2700 kN	750K, 1000K lbf	3300, 4500 kN
Dimensions	inch	mm	inch	mm	inch	mm	inch	mm	inch	mm
1.	6.50	165.1	8.00	203.2	8.75	222.3	10.25	260.4	13.00	330.2
2.	R 6.16	R 156.5	R 6.16	R 156.5	R 6.78	R 172.2	R 8.65	R 219.7	R 10.89	R 276.6
3.	11.00	279.4	11.00	279.4	12.25	311.2	16.00	406.4	20.50	520.7
4.	3.50	88.9	4.00	101.6	4.50	114.3	5.25	133.3	6.50	165.1
5.	3.00	76.2	3.50	88.9	4.25	108.0	4.75	120.6	6.25	158.7
6.	4.81	122.2	4.81	122.2	6.13	155.7	7.89	200.4	9.86	250.4
7.	9.00	228.6	9.00	228.6	10.11	256.9	13.06	331.6	16.50	419.1
8.	11.25°	11.25°	11.25°	11.25°	9.0°	9.0°	9.0°	9.0°	6.4°	6.4°
9.	.78 16 Places	19.8 16 Places	.78 16 Places	19.8 16 Places	.78 20 Places	19.8 20 Places	1.18 20 Places	30.0 20 Places	1.06 28 Places	26.9 28 Places
10.	2 3/4- 8 3.2 Deep	M72 x 2 81.3 Deep	2 3/4- 8 3.7 Deep	M72 x 2 94.0 Deep	3-12 4.00 Deep	M76 x 2 101.6 Deep	4 - 8 4.75 Deep	M100 x 3 120.6 Deep	6- 8 5.4 Deep	M150 x 3 137.1 Deep
11.	0.60	15.2	0.60	15.2	0.60	15.2	.92	23.4	.77	19.5
12.	3.00	76.2	4.00	101.6	4.25	108.0	5.00	127.0	6.50	165.1
13.	0.03	0.8	0.03	0.8	0.03	0.8	0.03	0.8	0.03	0.8
14.	4.83	122.7	4.83	122.7	5.70	144.8	7.89	200.4	10.00	254.0
15.	2 3/4- 8 2.70 Deep	M72 x 2 68.6 Deep	2 3/4- 8 3.70 Deep	M72 x 2 94.0 Deep	3-12 3.90 Deep	M76 x 2 99.1 Deep	4 - 8 4.65 Deep	M100 x 3 118.1 Deep	6 - 8 5.4 Deep	M150 x 3 137.1 Deep



OPTIONS

- Additional bridges
- Output adjustment to standard
- Compression overload protection
- Integral cable
- Custom connectors
- Connector Protectors
- Base

ACCESSORIES

- Mating connector
- Loading fixtures
- Interconnect cable
- Shunt calibration resistor
- Instrumentation

SHEAR WEB COMPRESSION ONLY (SW) SERIES LOAD CELLS

FEATURES

- Low Height
- Guaranteed Maximum Off-Center Load and Moment Error
- Low Creep
- Low Susceptibility to Magnetic Fields
- Counterbored Mounting Holes (w/out Base)
- Output to 4mV/V
- Integral Compression Interface (above 5K)
- 5pt Compression Calibration
- Proprietary Modulus Compensated Strain Gages



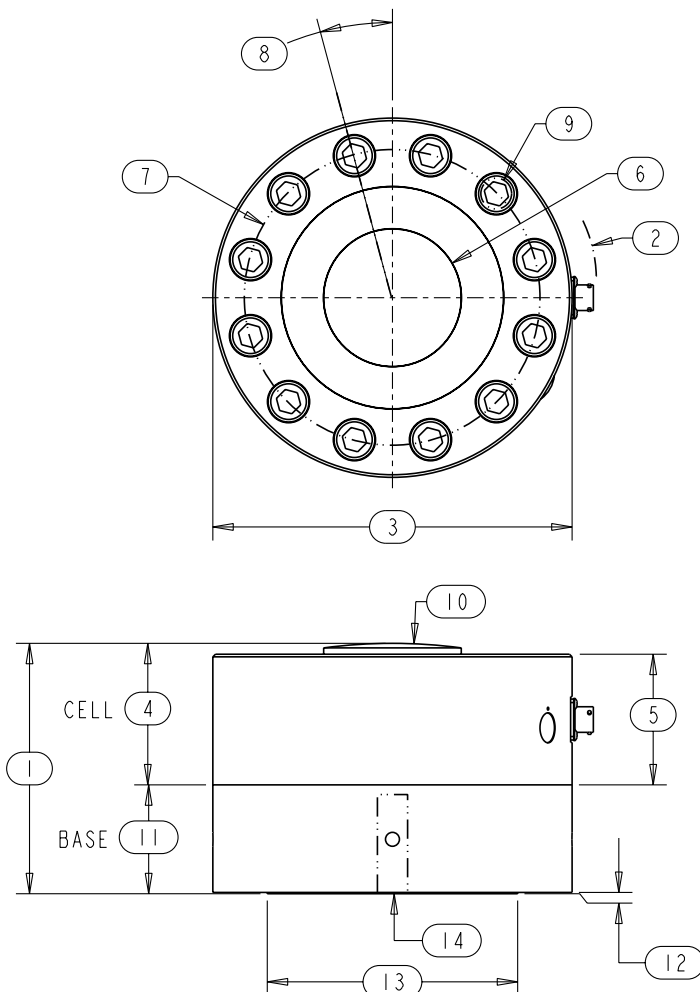
SPECIFICATIONS

Model	SW11 300, 500, 1K, 2K	SW11 5K, 10K	SW21 25K, 50K	SW31 100K	SW41 200K
Capacity U.S. lbf.					
Capacity Metric kN	1.5, 2.5, 5, 10	25, 50	100, 250	500	1000
PARAMETERS					
ACCURACY					
Static Error Band, % Rated Output	+/-0.030	+/-0.040	+/-0.040	+/-0.040	+/-0.050
Nonlinearity, % Rated Output	+/-0.030	+/-0.040	+/-0.050	+/-0.050	+/-0.050
Hysteresis, % Rated Output	+/-0.030	+/-0.040	+/-0.050	+/-0.050	+/-0.050
Nonrepeatability, % Rated Output	+/-0.010	+/-0.010	+/-0.010	+/-0.010	+/-0.010
Creep, % in 20 minutes	+/-0.025	+/-0.025	+/-0.025	+/-0.025	+/-0.025
Off-Center Load Sensitivity, %/inch	+/-0.250	+/-0.250	+/-0.250	+/-0.250	+/-0.250
Side Load Sensitivity, %	+/-0.250	+/-0.250	+/-0.250	+/-0.250	+/-0.250
Zero Balance, % Rated Output	+/-1.0	+/-1.0	+/-1.0	+/-1.0	+/-1.0
TEMPERATURE					
Range, Compensated, °F	+15 to +115	+15 to +115	+15 to +115	+15 to +115	+15 to +115
Range, Compensated, °C	-10 to +45	-10 to +45	-10 to +45	-10 to +45	-10 to +45
Range, Operating, °F	-65 to +200	-65 to +200	-65 to +200	-65 to +200	-65 to +200
Range, Operating, °C	-55 to +90	-55 to +90	-55 to +90	-55 to +90	-55 to +90
Effect on Sensitivity, % Rdg/ °F	+/-0.0008	+/-0.0008	+/-0.0008	+/-0.0008	+/-0.0008
Effect on Sensitivity, % Rdg/ °C	+/-0.0015	+/-0.0015	+/-0.0015	+/-0.0015	+/-0.0015
Effect on Zero, % Rated Output/ °F	+/-0.0008	+/-0.0008	+/-0.0008	+/-0.0008	+/-0.0008
Effect on Zero, % Rated Output/ °C	+/-0.0015	+/-0.0015	+/-0.0015	+/-0.0015	+/-0.0015
ELECTRICAL					
Rated Output, mV/V, Nominal	2	4	4	4	4
Excitation Voltage, VDC Maximum	20	20	20	20	20
Input Resistance, Ohms	350	350	350	350	350
Output Resistance, Ohms	350	350	350	350	350
Insulation Resistance, Megohm	5000	5000	5000	5000	5000
Bayonet Connector	PT02E-10-6P (MS3112E-10-6P)				
MECHANICAL					
Safe Overload Range, % Rated Capacity	150	150	150	150	150
Weight lb	1.1	3.1	5.1	12	33
Weight kg	0.5	1.4	2.3	5.4	15
Weight w/base lb	2.6	6.7	12.1	30.3	70
Weight w/base kg	1.2	3.0	5.5	13.7	32
Flexure Material	Aluminum	Steel	Steel	Steel	Steel

SHEAR WEB COMPRESSION ONLY (SW) SERIES LOAD CELLS

DIMENSIONS

Model	SW11	SW11M	SW11	SW11M	SW21	SW21M	SW31	SW31M	SW41	SW41M
Capacity	300, 500, 2K, 5K lbf	1.5, 2.5, 5, 10, 25 kN	10K lbf	50 kN	25K, 50K lbf	100, 250kN	100K lbf	500 kN	200K lbf	1000 kN
Dimensions	inch	mm	inch	mm	inch	mm	inch	mm	inch	mm
1.			2.50	63.50	3.00	76.2	4.49	114	5.75	146.1
2.			R 2.53	R 64.30	R 2.84	R 72.1	R 3.51	R 89.1	4.61	117.1
3.			4.12	104.65	4.75	120.7	6.06	154	8.25	209.6
4.			1.38	35.00	1.75	44.5	2.50	63.5	3.25	82.6
5.			1.25	31.75	1.63	41.4	2.25	57.2	3.00	76.2
6.			1.29	32.8	1.56	39.6	2.58	65.5	3.16	80.3
7.			3.50	88.90	4.00	101.6	5.13	130.3	6.75	171.5
8.			22.5°	22.5°	45°	45°	15°	15°	15°	15°
9.	See SW for dimensions add compatible Load Button		C'Bore for 1/4-28 8 Places	C'Bore for M6 8 Places	C'Bore for 5/16-24 4 Places	C'Bore for M8 4 Places	C'Bore for 3/8-24 12 Places	C'Bore for M10 12 Places	C'Bore for 5/8-18 12 Places	C'Bore for M16 12 Places
10.			R 4.00	R 101.6	R 6.00	R 152.4	R 8.00	R 203.2	R 12.00	304.8
11.			1.13	28.7	1.25	31.8	1.99	50.5	2.50	63.5
12.			0.03	.80	0.03	.80	0.03	.80	0.03	.80
13.			1.25	31.75	2.00	50.8	4.38	111.3	5.75	146.1
14.			5/8-18 .88 Deep	M12 x 1.25 22.4 Deep	1/2-20 1.00 Deep	M12 x 1.25 26 Deep	3/4 -16 1.50 Deep	M27 x 2 38 Deep	3/4 -16 1.50 Deep	M27 x 2 38 Deep



OPTIONS

- Additional bridges
- Output adjustment to standard
- Compression overload protection
- Integral cable
- Custom connectors
- Connector Protectors

ACCESSORIES

- Mating connector
- Loading fixtures
- Interconnect cable
- Shunt calibration resistor
- Instrumentation

2202 ROD END LOAD CELL

FEATURES

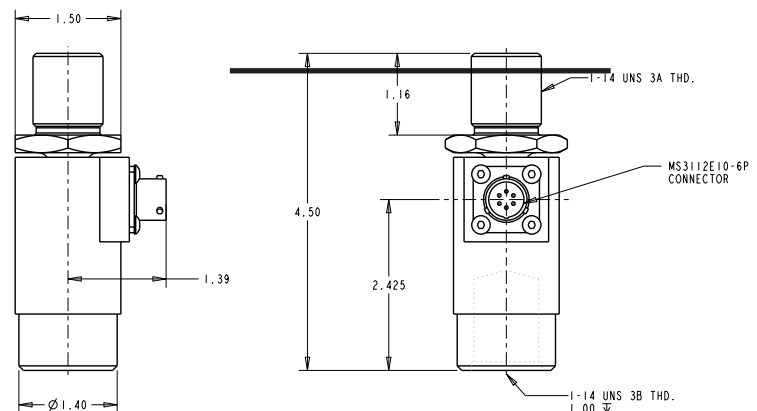
- Designed to attach directly on Hydraulic Cylinders
- High Capacity vs. Size
- Low Deflection
- Stable and Accurate
- 5pt Tension & Compression Calibration
- Proprietary Modulus Compensated Strain Gages



SPECIFICATIONS

Model	2202
Capacity	U.S. lbf. 5K, 10K, 15K, 20K, 25K
PARAMETERS	
ACCURACY	
Static Error Band, % Rated Output	+/-0.250
Nonlinearity, % Rated Output	+/-0.250
Hysteresis, % Rated Output	+/-0.150
Nonrepeatability, % Rated Output	+/-0.050
Zero Balance, % Rated Output	+/-1.0
TEMPERATURE	
Range, Compensated, °F	+70 to +170
Range, Compensated, °C	+21 to +77
Range, Operating, °F	-65 to +200
Range, Operating, °C	-55 to +90
Effect on Sensitivity, % Rdg/ °F	+/-0.0020
Effect on Sensitivity, % Rdg/ °C	+/-0.0036
Effect on Zero, % Rated Output/ °F	+/-0.0020
Effect on Zero, % Rated Output/ °C	+/-0.0036
ELECTRICAL	
Rated Output, mV/V, Nominal	2
Excitation Voltage, VDC Recommended/Max	10/15
Input Resistance, Ohms	350
Output Resistance, Ohms	350
Insulation Resistance, Megohm	5000
Bayonet Connector	PT02E-10-6P (MS3112E-10-6P)
MECHANICAL	
Safe Overload Range, % Rated Capacity	+/- 150
Weight lb	1.2
Flexure Material	Stainless Steel

DIMENSIONS



OPTIONS

- Additional bridges
- Output adjustment to standard
- Integral cable
- Custom connectors

ACCESSORIES

- Mating connector
- Loading fixtures
- Interconnect cable
- Shunt calibration resistor
- Instrumentation

2206 ROD END LOAD CELL

FEATURES

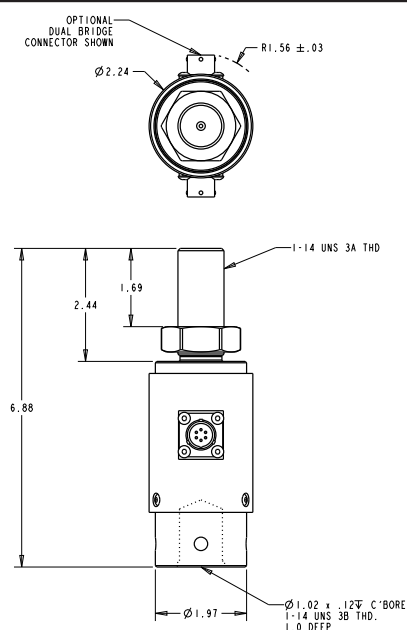
- Designed to attach directly on Hydraulic Cylinders
- High Capacity vs. Size
- Low Deflection
- Stable and Accurate
- 5pt Tension & Compression Calibration
- Proprietary Modulus Compensated Strain Gages



SPECIFICATIONS

Model	2206
Capacity	U.S. lbf. 25K
PARAMETERS	
ACCURACY	
Static Error Band, % Rated Output	+/-0.150
Nonlinearity, % Rated Output	+/-0.150
Hysteresis, % Rated Output	+/-0.100
Nonrepeatability, % Rated Output	+/-0.050
Zero Balance, % Rated Output	+/-1.0
TEMPERATURE	
Range, Compensated, °F	+70 to +170
Range, Compensated, °C	+21 to +77
Range, Operating, °F	-65 to +200
Range, Operating, °C	-55 to +90
Effect on Sensitivity, % Rdg/ °F	+/-0.0020
Effect on Sensitivity, % Rdg/ °C	+/-0.0036
Effect on Zero, % Rated Output/ °F	+/-0.0020
Effect on Zero, % Rated Output/ °C	+/-0.0036
ELECTRICAL	
Rated Output, mV/V, Nominal	2
Excitation Voltage, VDC Recommended/Max	10/15
Input Resistance, Ohms	350
Output Resistance, Ohms	350
Insulation Resistance, Megohm	5000
Bayonet Connector	PT02E-10-6P (MS3112E-10-6P)
MECHANICAL	
Safe Overload Range, % Rated Capacity	+/- 150
Weight lb	1.2
Flexure Material	Stainless Steel

DIMENSIONS



OPTIONS

- Additional bridges
- Output adjustment to standard
- Integral cable
- Custom connectors

ACCESSORIES

- Mating connector
- Loading fixtures
- Interconnect cable
- Shunt calibration resistor
- Instrumentation

SHEAR WEB PRECISION (SWP) SERIES LOAD CELLS

FEATURES

- High Accuracy Version of SW Series
- Smaller Guaranteed Maximum Off-Center Load & Moment Error than SW Series
- Static Error Band .02-.04%
- Low Creep
- Low Sensitivity to Magnetic Fields
- Barometric Pressure Compensation
- Temperature Compensated
- 5pt Tension & Compression Calibration
- Proprietary Modulus Compensated Strain Gages



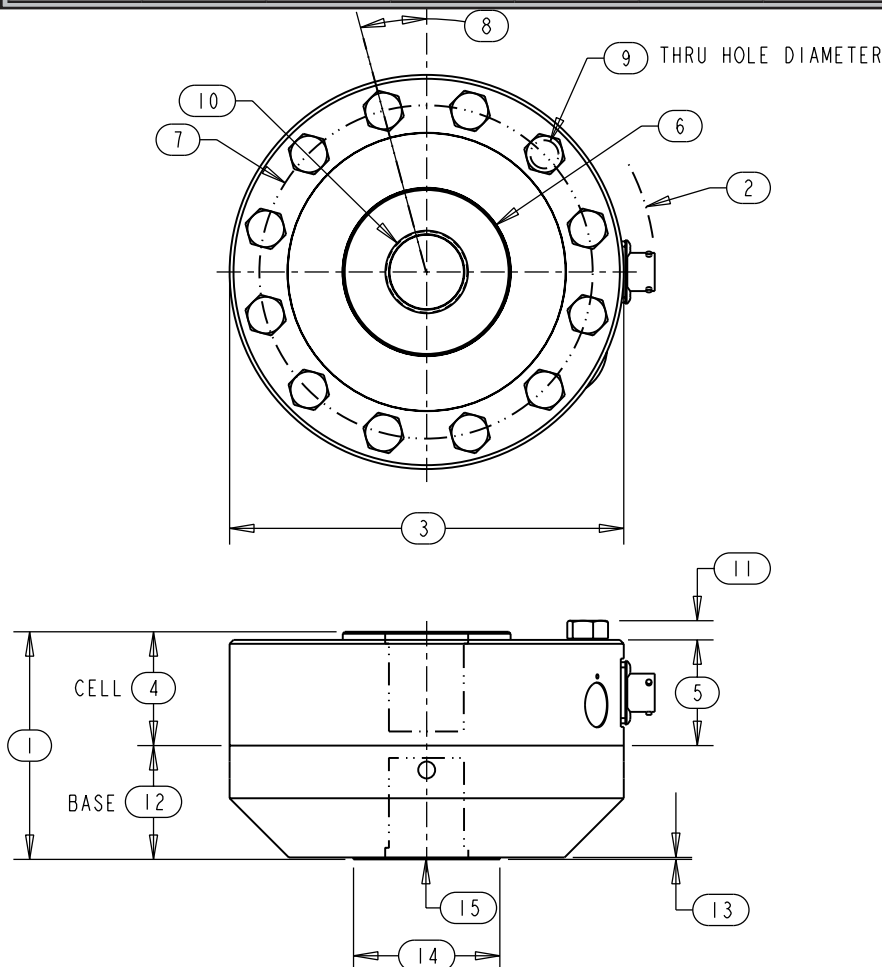
SPECIFICATIONS

Model		SWP10	SWP10	SWP20	SWP22	SWP30
Capacity	U.S. lbf.	300, 500, 1K, 2K	5K, 10K	25K, 50K	60K	100K
PARAMETERS	Metric kN	1.5, 2.5, 5, 10	25, 50	100, 250	270	300, 500
ACCURACY						
Static Error Band, % Rated Output		+/-0.020	+/-0.025	+/-0.035	+/-0.040	+/-0.040
Nonlinearity, % Rated Output		+/-0.030	+/-0.030	+/-0.030	+/-0.030	+/-0.030
Hysteresis, % Rated Output		+/-0.020	+/-0.040	+/-0.045	+/-0.040	+/-0.040
Nonrepeatability, % Rated Output		+/-0.010	+/-0.010	+/-0.010	+/-0.010	+/-0.010
Creep, % in 20 minutes		+/-0.025	+/-0.025	+/-0.025	+/-0.025	+/-0.025
Off-Center Load Sensitivity, %/inch		+/-0.100	+/-0.100	+/-0.100	+/-0.100	+/-0.100
Side Load Sensitivity, %		+/-0.100	+/-0.100	+/-0.100	+/-0.100	+/-0.100
Zero Balance, % Rated Output		+/-1.0	+/-1.0	+/-1.0	+/-1.0	+/-1.0
TEMPERATURE						
Range, Compensated, °F		+15 to +115	+15 to +115	+15 to +115	+15 to +115	+15 to +115
Range, Compensated, °C		-10 to +45	-10 to +45	-10 to +45	-10 to +45	-10 to +45
Range, Operating, °F		-65 to +200	-65 to +200	-65 to +200	-65 to +200	-65 to +200
Range, Operating, °C		-55 to +90	-55 to +90	-55 to +90	-55 to +90	-55 to +90
Effect on Sensitivity, % Rdg/ °F		+/-0.0008	+/-0.0008	+/-0.0008	+/-0.0008	+/-0.0008
Effect on Sensitivity, % Rdg/ °C		+/-0.0015	+/-0.0015	+/-0.0015	+/-0.0015	+/-0.0015
Effect on Zero, % Rated Output/ °F		+/-0.0008	+/-0.0008	+/-0.0008	+/-0.0008	+/-0.0008
Effect on Zero, % Rated Output/ °C		+/-0.0015	+/-0.0015	+/-0.0015	+/-0.0015	+/-0.0015
ELECTRICAL						
Rated Output, mV/V, Nominal		2	4	4	4	4
Excitation Voltage, VDC Maximum		20	20	20	20	20
Input Resistance, Ohms		350	350	350	350	350
Output Resistance, Ohms		350	350	350	350	350
Insulation Resistance, Megohm		5000	5000	5000	5000	5000
Bayonet Connector		PT02E-10-6P (MS3112E-10-6P)				
MECHANICAL						
Safe Overload Range, % Rated Capacity		+/-150	+/-150	+/-150	+/-150	+/-150
Weight lb		1.0	2.9	9.1	13.5	23.5
Weight kg		0.5	1.3	4.1	6.1	10.7
Weight w/base lb		2.5	6.5	21.5	27.5	52.5
Weight w/base kg		1.1	3.0	9.8	12.5	23.8
Flexure Material		Aluminum	Steel	Steel	Steel	Steel

SHEAR WEB PRECISION (SWP) SERIES LOAD CELLS

DIMENSIONS

Model	SWP10	SW10M	SWP10	SWP10M	SWP20	SWP20M	SWP22	SWP22M	SWP30	SWP30M
Capacity	300, 500, 1K, 2K lbf	1.5, 2.5, 5, 10 kN	5K, 10K lbf	25, 50 kN	25K, 50K lbf	100, 250 kN	60K lbf	270kN	100K lbf	300, 500 kN
Dimensions	inch	mm	inch	mm	inch	mm	inch	mm	inch	mm
1.	2.51	63.5	2.51	63.5	3.51	88.9	4.50	114.3	4.50	114.3
2.	R 2.53	R 64.3	R 2.53	R 64.3	R 3.50	R 88.9	R 3.50	R 88.9	R 4.50	R 114.3
3.	4.12	104.8	4.12	104.8	6.06	154.0	6.06	154.0	8.00	203.2
4.	1.38	34.9	1.38	34.9	1.75	44.5	2.25	57.2	2.50	63.5
5.	1.25	31.8	1.25	31.8	1.63	41.3	2.13	54.1	2.25	57.2
6.	1.29	32.8	1.29	32.8	2.34 25K 2.58 50K	59.4 100kN 65.6 250kN	2.58	65.6	3.76	95.6
7.	3.50	88.9	3.50	88.9	5.13	130.3	5.13	130.3	6.50	165.1
8.	22.5°	22.5°	22.5°	22.5°	15°	15°	15°	15°	11.25°	11.25°
9.	.28 8 Places	7.1 8 Places	.28 8 Places	7.1 8 Places	.41 12 Places	10.3 12 Places	.47 12 Places	11.9 12 Places	.53 16 Places	13.5 16 Places
10.	1/2-20 1.12 Deep	M12 x 1.25 28.5 Deep	5/8 - 18 1.12 Deep	M16 x 2 28.5 Deep.	1 1/4 - 12 1.50 Deep	M33x 2 38.1 Deep	1 1/2 - 12 2.0 Deep	M36x 2 50.8 Deep	1 3/4-12 2.20 Deep	M42 x 2 55.9 Deep
11.	0.18	4.7	0.18	4.7	0.29	7.5	0.31	7.9	.40	10.2
12.	1.13	28.6	1.13	28.6	1.75	44.5	2.25	57.2	2.00	50.8
13.	0.03	0.8	0.03	0.8	0.03	0.8	0.03	0.8	0.03	0.8
14.	1.25	31.8	1.25	31.8	2.25	57.2	3.00	76.2	3.00	76.2
15.	1/2-20 .88 Deep	M12 x 1.25 22.4 Deep	5/8 - 18 .88 Deep	M16 x 2 22.4 Deep	1 1/4 - 12 1.50 Deep	M33 x 2 38.1 Deep	1 1/2 - 12 2.00 Deep	M36 x 2 50.8 Deep	1 3/4-12 1.75 Deep	M42 x 2 44.5 Deep



OPTIONS

- Additional bridges
- Output adjustment to standard
- Compression overload protection
- Integral cable
- Custom connectors
- Connector Protectors
- Base

ACCESSORIES

- Mating connector
- Loading fixtures
- Interconnect cable
- Shunt calibration resistor
- Instrumentation

/// HIGH CAPACITY SHEAR WEB PRECISION (SWP) SERIES LOAD CELLS

FEATURES

- High Accuracy at High Capacity
- Low Height
- Low Guaranteed Maximum Off-Center Load and Moment Error
- Low Creep
- Low Susceptibility to Magnetic Fields
- Temperature Compensated
- Barometric Pressure Compensation
- 5pt Tension & Compression Calibration
- Proprietary Modulus Compensated Strain Gages



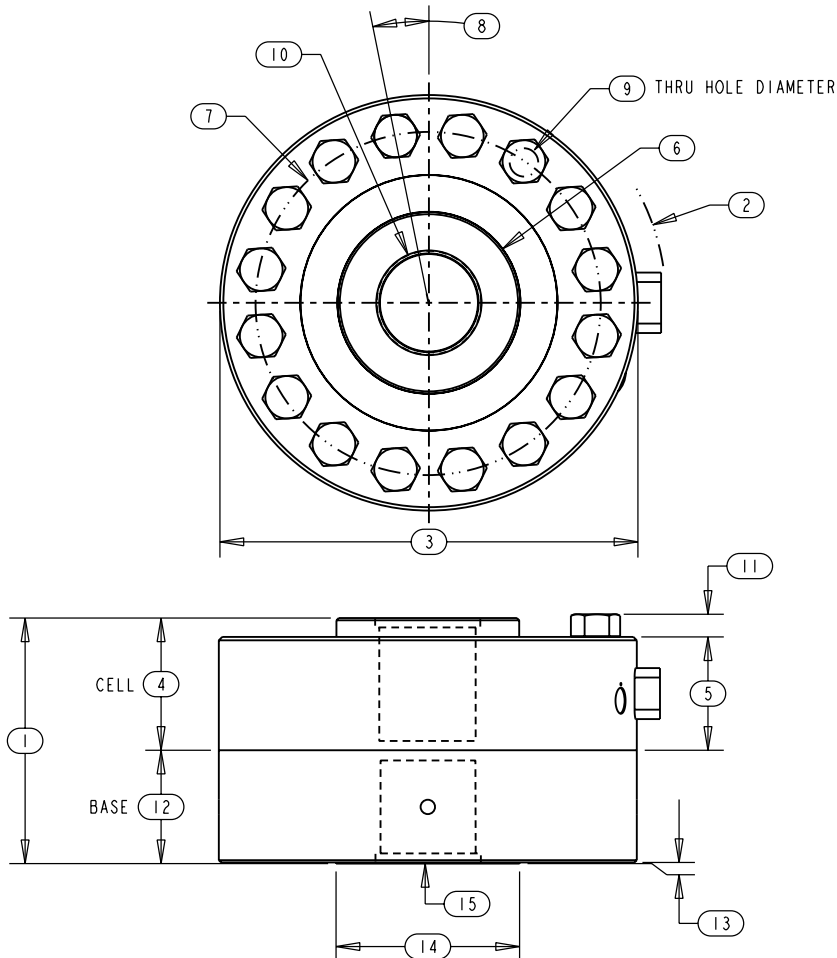
SPECIFICATIONS

Model		SWP40	SWP42	SWP45	SWP62	SWP80
Capacity	U.S. lbf.	200K	270K	300K, 400K	500K, 600K	750K, 1000K
PARAMETERS	Metric kN	1000	1200	1400, 1800	2200, 2700	3300, 4500
ACCURACY						
Static Error Band, % Rated Output		+/-0.050	+/-0.060	+/-0.100	+/-0.100	+/-0.120
Nonlinearity, % Rated Output		+/-0.050	+/-0.060	+/-0.100	+/-0.100	+/-0.120
Hysteresis, % Rated Output		+/-0.050	+/-0.060	+/-0.100	+/-0.100	+/-0.120
Nonrepeatability, % Rated Output		+/-0.010	+/-0.010	+/-0.010	+/-0.010	+/-0.010
Creep, % in 20 minutes		+/-0.025	+/-0.025	+/-0.025	+/-0.025	+/-0.025
Off-Center Load Sensitivity, %/inch		+/-0.100	+/-0.100	+/-0.200	+/-0.200	+/-0.200
Side Load Sensitivity, %		+/-0.100	+/-0.100	+/-0.200	+/-0.200	+/-0.200
Zero Balance, % Rated Output		+/-1.0	+/-1.0	+/-1.0	+/-1.0	+/-1.0
TEMPERATURE						
Range, Compensated, °F		+15 to +115	+15 to +115	+15 to +115	+15 to +115	+15 to +115
Range, Compensated, °C		-10 to +45	-10 to +45	-10 to +45	-10 to +45	-10 to +45
Range, Operating, °F		-65 to +200	-65 to +200	-65 to +200	-65 to +200	-65 to +200
Range, Operating, °C		-55 to +90	-55 to +90	-55 to +90	-55 to +90	-55 to +90
Effect on Sensitivity, % Rdg/ °F		+/-0.0008	+/-0.0008	+/-0.0008	+/-0.0008	+/-0.0008
Effect on Sensitivity, % Rdg/ °C		+/-0.0015	+/-0.0015	+/-0.0015	+/-0.0015	+/-0.0015
Effect on Zero, % Rated Output/ °F		+/-0.0008	+/-0.0008	+/-0.0008	+/-0.0008	+/-0.0008
Effect on Zero, % Rated Output/ °C		+/-0.0015	+/-0.0015	+/-0.0015	+/-0.0015	+/-0.0015
ELECTRICAL						
Rated Output, mV/V, Nominal		4	4	4	4	4
Excitation Voltage, VDC Maximum		20	20	20	20	20
Input Resistance, Ohms		350	350	350	350	350
Output Resistance, Ohms		350	350	350	350	350
Insulation Resistance, Megohm		5000	5000	5000	5000	5000
Bayonet Connector		PT02E-10-6P (MS3112E-10-6P) Included Protector				
MECHANICAL						
Safe Overload Range, % Rated Capacity		+/-150	+/-150	+/-150	+/-150	+/-150
Weight lb		74	84	120	245	450
Weight kg		34	38	54	111	204
Weight w/base lb		146	156	250	448	1050
Weight w/base kg		66	71	113	203	476
Flexure Material		Steel	Steel	Steel	Steel	Steel

HIGH CAPACITY SHEAR WEB PRECISION (SWP) SERIES LOAD CELLS

DIMENSIONS

Model	SWP40	SWP40M	SWP42	SWP42M	SWP45	SWP45M	SWP62	SWP62M	SWP80	SWP80M
Capacity	200K lbf	1000 kN	270K lbf	1200 kN	300K, 400K lbf	1400, 1800 kN	500K, 600K lbf	2200, 2700 kN	750K, 1000 lbf	3300, 4500 kN
Dimensions	inch	mm	inch	mm	inch	mm	inch	mm	inch	mm
1.	6.50	165.1	8.00	203.2	8.75	222.3	10.25	260.4	13.00	330.2
2.	R 6.16	R 156.5	R 6.16	R 156.5	R 6.78	R 172.2	R 8.65	R 219.7	R 10.89	R 276.6
3.	11.00	279.4	11.00	279.4	12.25	311.2	16.00	406.4	20.50	520.7
4.	3.50	88.9	4.00	101.6	4.50	114.3	5.25	133.3	6.50	165.1
5.	3.00	76.2	3.50	88.9	4.25	108.0	4.75	120.6	6.25	158.7
6.	4.81	122.2	4.81	122.2	6.13	155.7	7.89	200.4	9.86	250.4
7.	9.00	228.6	9.00	228.6	10.11	256.9	13.06	331.6	16.50	419.1
8.	11.25°	11.25°	11.25°	11.25°	9.0°	9.0°	9.0°	9.0°	6.4°	6.4°
9.	.78 16 Places	19.8 16 Places	.78 16 Places	19.8 16 Places	.78 20 Places	19.8 20 Places	1.18 20 Places	30.0 20 Places	1.06 28 Places	26.9 28 Places
10.	2 3/4 - 8 3.2 Deep	M72 x 2 81.3 Deep	2 3/4 - 8 3.7 Deep	M72 x 2 94.0 Deep	3 - 12 4.00 Deep	M76 x 2 101.6 Deep	4 - 8 4.75 Deep	M100 x 3 120.6 Deep	6 - 8 5.4 Deep	M150 x 3 137.1 Deep
11.	0.60	15.2	0.60	15.2	0.60	15.2	0.92	23.4	.77	19.5
12.	3.00	76.2	4.00	101.6	4.25	108.0	5.00	127.0	6.50	165.1
13.	0.03	0.8	0.03	0.8	0.03	0.8	0.03	0.8	0.03	0.8
14.	4.83	122.7	4.83	122.7	5.70	144.8	7.89	200.4	10.00	254.0
15.	2 3/4 - 8 2.70 Deep	M72 x 2 68.6 Deep	2 3/4 - 8 3.70 Deep	M72 x 2 94.0 Deep	3 - 12 3.90 Deep	M76 x 2 99.1 Deep	4 - 8 4.65 Deep	M100 x 3 118.1 Deep	6 - 8 5.4 Deep	M150 x 3 137.1 Deep



OPTIONS

- Additional bridges
- Output adjustment to standard
- Compression overload protection
- Integral cable
- Custom connectors
- Connector Protectors
- Base

ACCESSORIES

- Mating connector
- Loading fixtures
- Interconnect cable
- Shunt calibration resistor
- Instrumentation

LOW CAPACITY FATIGUE RATED (FR5) SERIES LOAD CELLS

FEATURES

- Fatigue Rated
- Small Scale
- Sealed
- Static Error Band .05%
- In-line Loading
- Compensated for Off Axis Loads
- 5pt Tension & Compression Calibration
- Proprietary Modulus Compensated Strain Gages

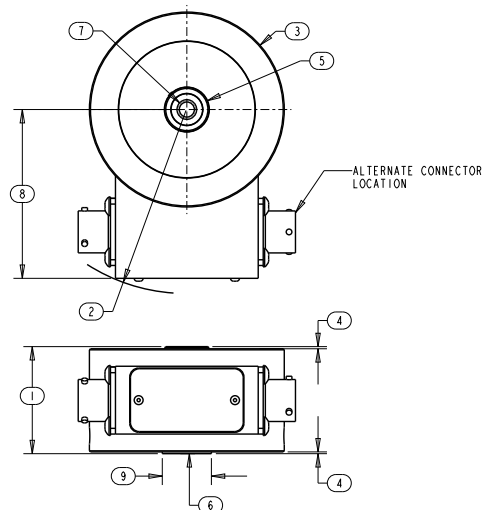


SPECIFICATIONS

Model	FR5	
Capacity	U.S. lbf.	25, 50, 100, 200, 300
PARAMETERS	N	125, 250, 500, 1000, 1500
ACCURACY		
Static Error Band, % Rated Output		+/-0.050
Nonlinearity, % Rated Output		+/-0.050
Hysteresis, % Rated Output		+/-0.050
Nonrepeatability, % Rated Output		+/-0.010
Creep, % in 20 minutes		+/-0.030
Off-Center Load Sensitivity, %/inch		+/-0.250
Side Load Sensitivity, %		+/-0.250
Zero Balance, % Rated Output		+/-1.0
TEMPERATURE		
Range, Compensated, °F		+15 to +115
Range, Compensated, °C		-10 to +45
Range, Operating, °F		-65 to +200
Range, Operating, °C		-55 to +90
Effect on Sensitivity, % Rdg/ °F		+/- .0008
Effect on Sensitivity, % Rdg/ °C		+/- .0015
Effect on Zero, % Rated Output/ °F		+/- .0015
Effect on Zero, % Rated Output/ °C		+/- .0027
ELECTRICAL		
Rated Output, mV/V, Nominal		2
Excitation Voltage, VDC Maximum		15
Input Resistance, Ohms		700 +80/-7
Output Resistance, Ohms		700 +80/-7
Insulation Resistance, Megohm		5000 (@ 50VDC)
Bayonet Connector		PT02E-10-6P (MS3112E-10-6P)
MECHANICAL		
Safe Overload Range, % Rated Capacity		+/- 150
Weight lb		0.8
Weight kg		.36
Flexure Material		Aluminum

DIMENSIONS

Model	FR5	FR5M
Capacity	25, 50, 100, 200, 300 lbf	125, 250, 500, 1000, 1500 N
Dimensions	inch	mm
1.	1.50	38.1
2.	R 2.57	R 65.3
3.	2.73	69.3
4.	.03	0.8
5.	.63	16.0
6.	1/4 - 28 .37 Deep	M6 x 1 9.4 Deep
7.	1/4 - 28 .75 Deep	M6 x 1 19.0 Deep
8.	2.37	60.2
9.	.69	17.5



OPTIONS

Additional bridges
Output adjustment to standard
Compression overload protection
Integral cable
Custom connectors

ACCESSORIES

Mating connector
Loading fixtures
Interconnect cable
Shunt calibration resistor
Instrumentation

Left Intentionally Blank

FATIGUE RATED (FR) SERIES LOAD CELLS

FEATURES

- First Choice for Fatigue Testing Applications
- Guaranteed for 100 Million Fully Reversed Cycles
- Low Height
- Guaranteed Maximum Off-Center Load & Moment Error
- Low Creep
- Low Susceptibility to Magnetic Fields
- Barometric Pressure Compensation
- 5pt Tension & Compression Calibration
- Proprietary Modulus Compensated Strain Gages



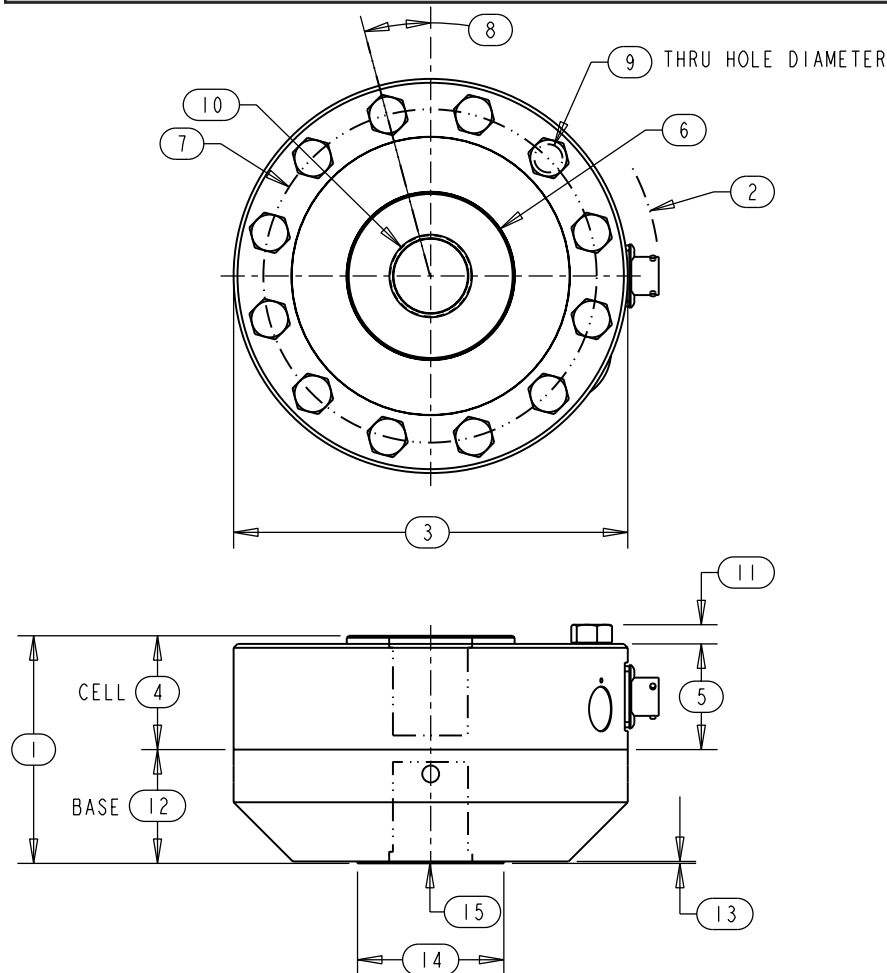
SPECIFICATIONS

Model	FR10	FR10	FR20	FR22	FR30
Capacity U.S. lbf.	150, 250, 500, 1K	2.5K, 5K	12.5K, 25K	30K	50K
Capacity Metric kN	.75, 1.25, 2.5, 5	12.5, 25	50, 125	135	150, 250
PARAMETERS					
ACCURACY					
Static Error Band, % Rated Output	+/-0.030	+/-0.040	+/-0.040	+/-0.050	+/-0.050
Nonlinearity, % Rated Output	+/-0.040	+/-0.040	+/-0.040	+/-0.050	+/-0.050
Hysteresis, % Rated Output	+/-0.030	+/-0.040	+/-0.050	+/-0.050	+/-0.050
Nonrepeatability, % Rated Output	+/-0.010	+/-0.010	+/-0.010	+/-0.010	+/-0.010
Creep, % in 20 minutes	+/-0.025	+/-0.025	+/-0.025	+/-0.025	+/-0.025
Off-Center Load Sensitivity, %/inch	+/-0.100	+/-0.100	+/-0.100	+/-0.100	+/-0.100
Side Load Sensitivity, %	+/-0.100	+/-0.100	+/-0.100	+/-0.100	+/-0.100
Zero Balance, % Rated Output	+/-1.0	+/-1.0	+/-1.0	+/-1.0	+/-1.0
TEMPERATURE					
Range, Compensated, °F	+15 to +115	+15 to +115	+15 to +115	+15 to +115	+15 to +115
Range, Compensated, °C	-10 to +45	-10 to +45	-10 to +45	-10 to +45	-10 to +45
Range, Operating, °F	-65 to +200	-65 to +200	-65 to +200	-65 to +200	-65 to +200
Range, Operating, °C	-55 to +90	-55 to +90	-55 to +90	-55 to +90	-55 to +90
Effect on Sensitivity, % Rdg/ °F	+/-0.0008	+/-0.0008	+/-0.0008	+/-0.0008	+/-0.0008
Effect on Sensitivity, % Rdg/ °C	+/-0.0015	+/-0.0015	+/-0.0015	+/-0.0015	+/-0.0015
Effect on Zero, % Rated Output/ °F	+/-0.0008	+/-0.0008	+/-0.0008	+/-0.0008	+/-0.0008
Effect on Zero, % Rated Output/ °C	+/-0.0015	+/-0.0015	+/-0.0015	+/-0.0015	+/-0.0015
ELECTRICAL					
Rated Output, mV/V, Nominal	1	2	2	2	2
Excitation Voltage, VDC Maximum	20	20	20	20	20
Input Resistance, Ohms	350	350	350	350	350
Output Resistance, Ohms	350	350	350	350	350
Insulation Resistance, Megohm	5000	5000	5000	5000	5000
Bayonet Connector	PT02E-10-6P (MS3112E-10-6P)				
MECHANICAL					
Safe Overload Range, % Rated Capacity	+/- 300	+/- 300	+/- 300	+/- 300	+/- 300
Weight lb	1.0	2.9	9.1	9.1	23.5
Weight kg	0.5	1.3	4.1	4.1	10.7
Weight w/base lb	2.5	6.5	21.5	21.5	52.5
Weight w/base kg	1.1	3.0	9.8	9.8	23.8
Flexure Material	Aluminum	Steel	Steel	Steel	Steel

FATIGUE RATED (FR) SERIES LOAD CELLS

DIMENSIONS

Model	FR10	FR10M	FR10	FR10M	FR20	FR20M	FR22	FR22M	FR30	FR30M
Capacity	150, 250, 500, 1K lbf	.75, 1.25, 2.5, 5 kN	2.5K, 5K lbf	12.5, 25 kN	12.5K, 25K lbf	50, 125 kN	30K	135kN	50K lbf	150, 250 kN
Dimensions	inch	mm	inch	mm	inch	mm	inch	mm	inch	inch
1.	2.51	63.5	2.51	63.5	3.51	88.9	4.50	114.3	4.50	114.3
2.	R 2.53	R 64.3	R 2.53	R 64.3	R 3.50	R 88.9	R 3.50	R 88.9	R 4.50	R 114.3
3.	4.12	104.8	4.12	104.8	6.06	154.0	6.06	154.0	8.00	203.2
4.	1.38	34.9	1.38	34.9	1.75	44.5	2.25	57.2	2.50	63.5
5.	1.25	31.8	1.25	31.8	1.63	41.3	2.13	54.1	2.25	57.2
6.	1.29	32.8	1.29	32.8	2.34 12.5K 2.58 25K	59.4 50kN 65.6 125kN	2.58	65.6	3.76	95.6
7.	3.50	88.9	3.50	88.9	5.13	130.3	5.13	130.3	6.50	165.1
8.	22.5°	22.5°	22.5°	22.5°	15°	15°	15°	15°	11.25°	11.25°
9.	.28 8 Places	7.1 8 Places	.28 8 Places	7.1 8 Places	.41 12 Places	10.3 12 Places	.47 12 Places	11.9 12 Places	.53 16 Places	13.5 16 Places
10.	1/2-20 1.12 Deep	M12 x 1.25 28.5 Deep	5/8 - 18 1.12 Deep	M16 x 2 28.5 Deep.	1 1/4 - 12 1.50 Deep	M33x 2 38.1 Deep	1 1/2 - 12 2.00 Deep	M36x 2 50.8 Deep	1 3/4-12 2.20 Deep	M42 x 2 55.9 Deep
11.	0.18	4.7	0.18	4.7	0.29	7.5	0.31	7.9	.40	10.2
12.	1.13	28.6	1.13	28.6	1.75	44.5	2.25	57.2	2.00	50.8
13.	0.03	0.8	0.03	0.8	0.03	0.8	0.03	0.8	0.03	0.8
14.	1.25	31.8	1.25	31.8	2.25	57.2	3.00	76.2	3.00	76.2
15.	1/2-20 .88 Deep	M12 x 1.25 22.4 Deep	5/8 - 18 .88 Deep	M16 x 2 22.4 Deep	1 1/4 - 12 1.50 Deep	M33 x 2 38.1 Deep	1 1/2 - 12 2.00 Deep	M36 x 2 50.8 Deep	1 3/4-12 1.75 Deep	M42 x 2 44.5 Deep



OPTIONS

- Additional bridges
- Output adjustment to standard
- Compression overload protection
- Integral cable
- Custom connectors
- Connector Protectors
- Base

ACCESSORIES

- Mating connector
- Loading fixtures
- Interconnect cable
- Shunt calibration resistor
- Instrumentation

/// HIGH CAPACITY FATIGUE RATED (FR) SERIES LOAD CELLS

FEATURES

- First Choice for Fatigue Testing Applications
- Guaranteed for 100 Million Fully Reversed Cycles
- Low Height
- Guaranteed Maximum Off-Center Load and Moment Error
- Low Creep
- Low Susceptibility to Magnetic Fields
- Barometric Pressure Compensation
- 5pt Tension & Compression Calibration
- Proprietary Modulus Compensated Strain Gages



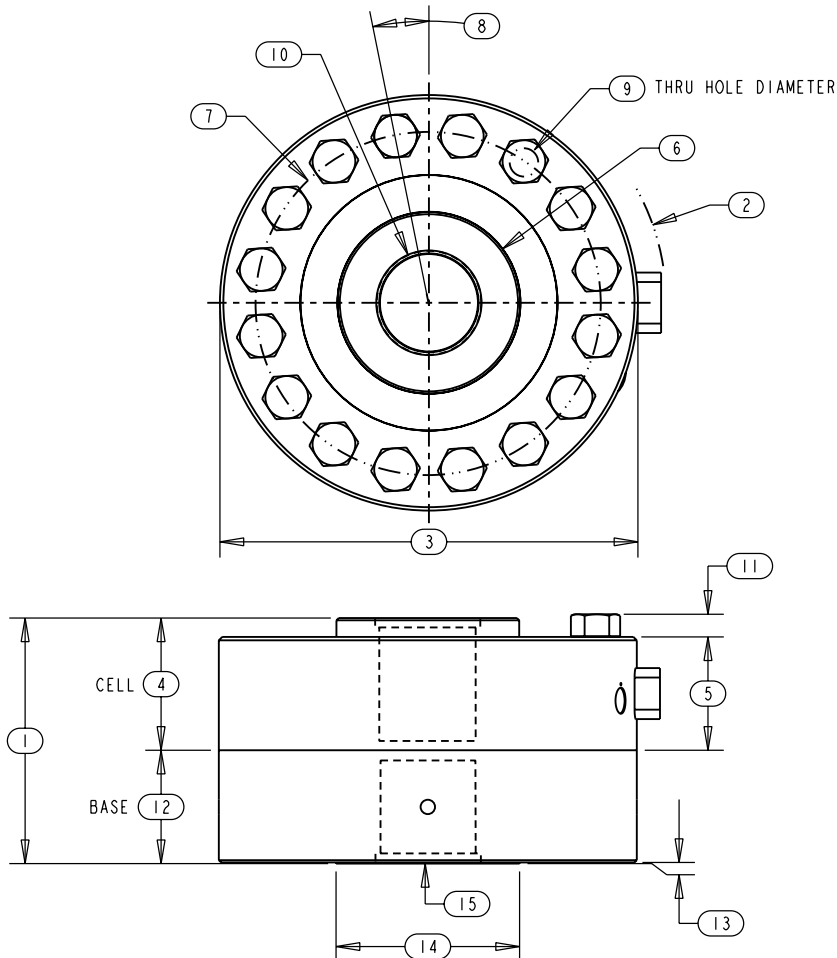
SPECIFICATIONS

Model	FR40	FR42	FR45	FR62	FR80
Capacity U.S. lbf.	100K	135K	150K, 200K	250K, 300K	375K, 500K
PARAMETERS Metric kN	500	600	700, 900	1100, 1350	1650, 2250
ACCURACY					
Static Error Band, % Rated Output	+/-0.060	+/-0.070	+/-0.100	+/-0.100	+/-0.150
Nonlinearity, % Rated Output	+/-0.060	+/-0.080	+/-0.100	+/-0.100	+/-0.150
Hysteresis, % Rated Output	+/-0.060	+/-0.080	+/-0.100	+/-0.100	+/-0.150
Nonrepeatability, % Rated Output	+/-0.010	+/-0.020	+/-0.020	+/-0.020	+/-0.020
Creep, % in 20 minutes	+/-0.025	+/-0.025	+/-0.025	+/-0.025	+/-0.025
Off-Center Load Sensitivity, %/inch	+/-0.250	+/-0.250	+/-0.250	+/-0.250	+/-0.250
Side Load Sensitivity, %	+/-0.250	+/-0.250	+/-0.250	+/-0.250	+/-0.250
Zero Balance, % Rated Output	+/-1.0	+/-1.0	+/-1.0	+/-1.0	+/-1.0
TEMPERATURE					
Range, Compensated, °F	+15 to +115	+15 to +115	+15 to +115	+15 to +115	+15 to +115
Range, Compensated, °C	-10 to +45	-10 to +45	-10 to +45	-10 to +45	-10 to +45
Range, Operating, °F	-65 to +200	-65 to +200	-65 to +200	-65 to +200	-65 to +200
Range, Operating, °C	-55 to +90	-55 to +90	-55 to +90	-55 to +90	-55 to +90
Effect on Sensitivity, % Rdg/ °F	+/-0.0008	+/-0.0008	+/-0.0008	+/-0.0008	+/-0.0008
Effect on Sensitivity, % Rdg/ °C	+/-0.0015	+/-0.0015	+/-0.0015	+/-0.0015	+/-0.0015
Effect on Zero, % Rated Output/ °F	+/-0.0008	+/-0.0008	+/-0.0008	+/-0.0008	+/-0.0008
Effect on Zero, % Rated Output/ °C	+/-0.0015	+/-0.0015	+/-0.0015	+/-0.0015	+/-0.0015
ELECTRICAL					
Rated Output, mV/V, Nominal	2	2	2	2	2
Excitation Voltage, VDC Maximum	20	20	20	20	20
Input Resistance, Ohms	350	350	350	350	350
Output Resistance, Ohms	350	350	350	350	350
Insulation Resistance, Megohm	5000	5000	5000	5000	5000
Bayonet Connector	PT02E-10-6P (MS3112E-10-6P) Included Protector				
MECHANICAL					
Safe Overload Range, % Rated Capacity	+/-300	+/-300	+/-300	+/-300	+/-300
Weight lb	74	84	120	245	450
Weight kg	34	38	54	111	204
Weight w/base lb	146	156	250	448	1050
Weight w/base kg	66	71	113	203	476
Flexure Material	Steel	Steel	Steel	Steel	Steel

HIGH CAPACITY FATIGUE RATED (FR) SERIES LOAD CELLS

DIMENSIONS

Model	FR40	FR40M	FR42	FR42M	FR45	FR45M	FR62	FR62M	FR80	FR80M
Capacity	100K lbf	500 kN	135K lbf	600 kN	150K, 200K lbf	700, 900 kN	250K, 300K lbf	1100, 1350 kN	375K, 500K lbf	1650, 2250 kN
Dimensions	inch	mm	inch	mm	inch	mm	inch	mm	inch	mm
1.	6.50	165.1	8.00	203.2	8.75	222.3	10.25	235	13.00	330.2
2.	R 6.16	R 156.5	R 6.16	R 156.5	R 6.78	172.2	R 8.65	R 219.7	R 10.89	R 276.6
3.	11.00	279.4	11.00	279.4	12.25	311.2	16.00	406.4	20.50	520.7
4.	3.50	88.9	4.00	101.6	4.50	114.3	5.25	133.3	6.50	165.1
5.	3.00	76.2	3.50	88.9	4.25	108.0	4.75	120.6	6.25	158.7
6.	4.81	122.2	4.81	122.2	6.13	155.7	7.89	200.4	9.86	250.4
7.	9.00	228.6	9.00	228.6	10.11	256.9	13.06	331.6	16.50	419.1
8.	11.25°	11.25°	11.25°	11.25°	9.0°	9.0°	9.0°	9.0°	6.4°	6.4°
9.	.78 16 Places	19.8 16 Places	.78 16 Places	19.8 16 Places	.78 20 Places	19.8 20 Places	1.18 20 Places	30.0 20 Places	1.06 28 Places	26.9 28 Places
10.	2 3/4- 8 3.2 Deep	M72 x 2 81.3 Deep	2 3/4- 8 3.7 Deep	M72 x 2 94.0 Deep	3-12 4.00 Deep	M76 x 2 101.6 Deep	4 - 8 4.75 Deep	M100x 3 120.7 Deep	6- 8 5.4 Deep	M150x 3 137.1 Deep
11.	0.60	15.2	0.60	15.2	0.60	15.2	0.92	20.8	.77	19.5
12.	3.00	76.2	4.00	101.6	4.25	108.0	5.00	101.6	6.50	165.1
13.	0.03	0.8	0.03	0.8	0.03	0.8	0.03	0.8	0.03	0.8
14.	4.83	122.7	4.83	122.7	5.70	144.8	7.89	200.4	10.00	254.0
15.	2 3/4- 8 2.70 Deep	M72 x 2 68.6 Deep	2 3/4- 8 3.70 Deep	M72 x 2 94.0 Deep	3-12 3.90 Deep	M76 x 2 99.1 Deep	4 - 8 4.65 Deep	M100 x 3 88.9 Deep	6 - 8 5.4 Deep	M150 x 3 137.1 Deep



OPTIONS

- Additional bridges
- Output adjustment to standard
- Compression overload protection
- Integral cable
- Custom connectors
- Connector Protectors
- Base

ACCESSORIES

- Mating connector
- Loading fixtures
- Interconnect cable
- Shunt calibration resistor
- Instrumentation

AXIAL FORCE AND TORQUE (SWT) SERIES TRANSDUCERS

FEATURES

- Measure both Force and Torque
- High Accuracy Both Bridges
- Low Crosstalk
- Low Creep
- 5pt T/C Axial & CW/CCW Torsion Calibration
- Proprietary Modulus Compensated Strain Gages

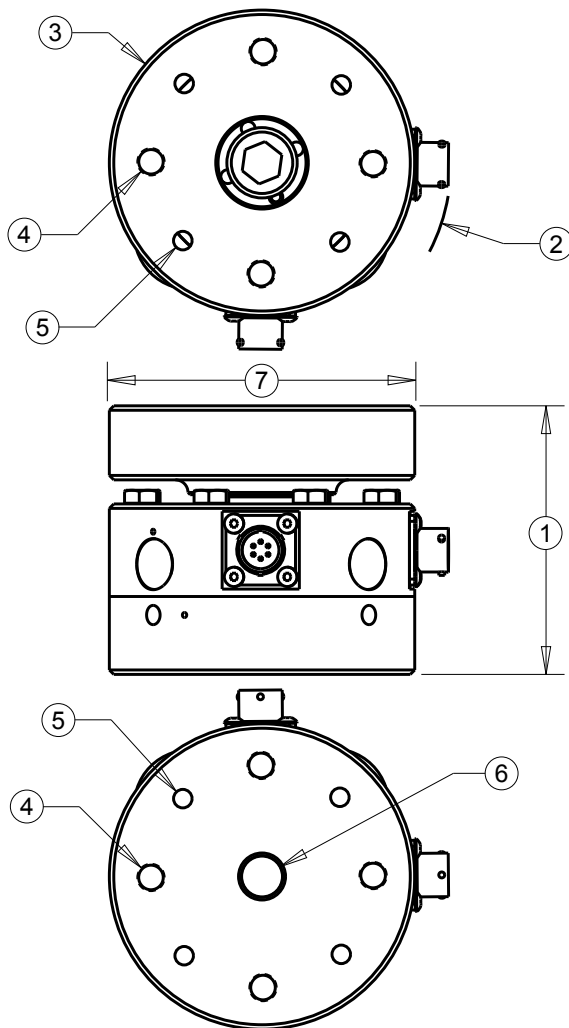


SPECIFICATIONS

Model	SWT10		SWT10		SWT20		SWT30		
	Capacity	U.S. lbf / lbf-in	2K/1K, 5K/2K		10K/3K		50K/25K		
		300/150, 500/250, 1K/500	Axial Force Bridge	Torque Bridge	Axial Force Bridge	Torque Bridge	Axial Force Bridge	Torque Bridge	
PARAMETERS									
ACCURACY									
Nonlinearity, % Rated Output		+/-0.040	+/-0.070	+/-0.040	+/-0.070	+/-0.040	+/-0.070	+/-0.050	+/-0.070
Hysteresis, % Rated Output		+/-0.040	+/-0.050	+/-0.045	+/-0.050	+/-0.050	+/-0.050	+/-0.050	+/-0.050
Nonrepeatability, % Rated Output		+/-0.020	+/-0.050	+/-0.020	+/-0.050	+/-0.020	+/-0.050	+/-0.020	+/-0.050
Creep, % in 20 minutes		+/-0.025	+/-0.025	+/-0.025	+/-0.025	+/-0.025	+/-0.025	+/-0.025	+/-0.025
Zero Balance, % Rated Output		+/-2.0	+/-2.0	+/-2.0	+/-2.0	+/-2.0	+/-2.0	+/-2.0	+/-2.0
TEMPERATURE									
Range, Compensated, °F		+15 to +115	+15 to +115	+15 to +115	+15 to +115	+15 to +115	+15 to +115	+15 to +115	+15 to +115
Range, Compensated, °C		-10 to +45	-10 to +45	-10 to +45	-10 to +45	-10 to +45	-10 to +45	-10 to +45	-10 to +45
Range, Operating, °F		-65 to +200	-65 to +200	-65 to +200	-65 to +200	-65 to +200	-65 to +200	-65 to +200	-65 to +200
Range, Operating, °C		-55 to +90	-55 to +90	-55 to +90	-55 to +90	-55 to +90	-55 to +90	-55 to +90	-55 to +90
Effect on Sensitivity, % Rdg/ °F		+/-0.0008	+/-0.0008	+/-0.0008	+/-0.0008	+/-0.0008	+/-0.0008	+/-0.0008	+/-0.0008
Effect on Sensitivity, % Rdg/ °C		+/-0.0015	+/-0.0015	+/-0.0015	+/-0.0015	+/-0.0015	+/-0.0015	+/-0.0015	+/-0.0015
Effect on Zero, % Rated Output/ °F		+/-0.0015	+/-0.0015	+/-0.0015	+/-0.0015	+/-0.0015	+/-0.0015	+/-0.0015	+/-0.0015
Effect on Zero, % Rated Output/ °C		+/-0.0027	+/-0.0027	+/-0.0027	+/-0.0027	+/-0.0027	+/-0.0027	+/-0.0027	+/-0.0027
ELECTRICAL									
Rated Output, mV/V, Nominal		1.0	1.5	2.0	2.5	2.0	1.0	2.0	1.0
Excitation Voltage, VDC Maximum		20	20	20	20	20	20	20	20
Input Resistance, Ohms		350	700	350	700	350	700	350	700
Output Resistance, Ohms		350	700	350	700	350	700	350	700
Insulation Resistance, Megohm		5000	5000	5000	5000	5000	5000	5000	5000
Bayonet Connector		PT02E-10-6P (MS3112E-10-6P)							
MECHANICAL									
Safe Overload Range, % Capacity		+/-150	+/-150	+/-150	+/-150	+/-150	+/-150	+/-150	+/-150
Weight lb		4	4	11	11	32	32	76	76
Flexure Material		Aluminum				Steel			

AXIAL FORCE AND TORQUE (SWT) SERIES TRANSDUCERS

DIMENSIONS				
Model	SWT10	SWT10	SWT20	SWT30
Capacity	300/150, 500/250, 1K/500	2K/1K, 5K/2K	10K/3K	50K/25K
Dimensions	inch	inch	inch	inch
1.	3.63	3.63	4.70	7.10
2.	R 2.5	R 2.5	R 3.5	R 4.5
3.	4.12 Dia.	4.12 Dia.	6.06 Dia.	8.00 Dia.
4.	3/8 - 24 .66 Deep on 3.00 B.C.	3/8 - 24 .66 Deep on 3.00 B.C.	3/8 - 24 .66 Deep on 3.00 B.C.	5/8 - 18 1.0 Deep on 5.50 B.C.
5.	0.25 SF on 3.00 B.C.	0.25 SF on 3.00 B.C.	0.25 SF on 3.00 B.C.	0.50 SF on 5.50 B.C.
6.	5/8 - 18 .95 Deep	5/8 - 18 .95 Deep	5/8 - 18 1.05 Deep	1 3/4 - 12 1.75 Deep
7.	4.12 Dia.	4.12 Dia.	4.12 Dia.	6.85 Dia.



OPTIONS

- Additional bridges
- Output adjustment to standard
- Compression overload protection
- Integral cable
- Custom connectors
- Connector Protectors
- Alternate Capacities

ACCESSORIES

- Mating connector
- Loading fixtures
- Interconnect cable
- Shunt calibration resistor
- Instrumentation

AXIAL FORCE AND MOMENT (SW-XYZ) SERIES

FEATURES

- Measure Z-Axis Force, X- and Y-Axis Moment
- High Accuracy Force Measurement
- Proprietary Modulus Compensated Strain Gages



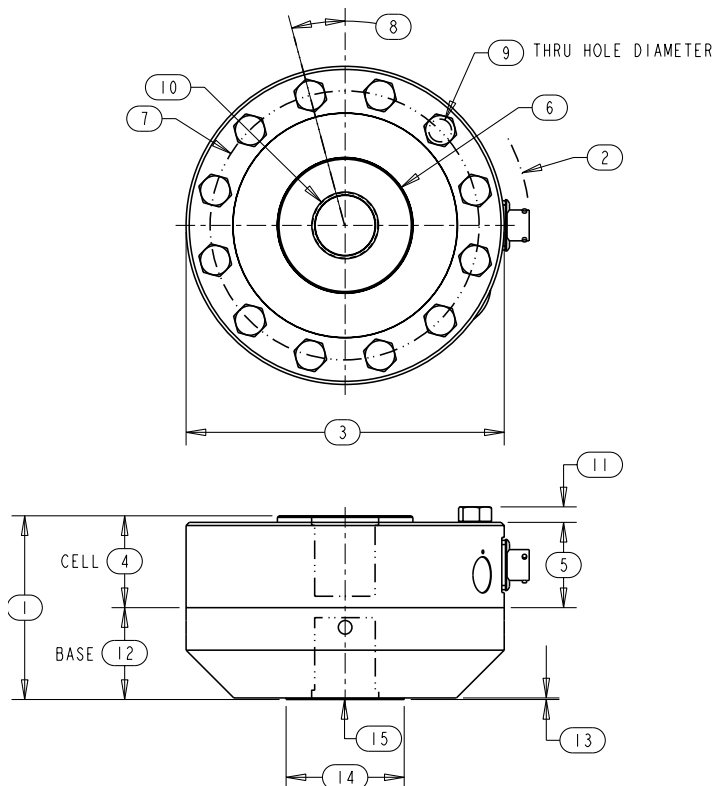
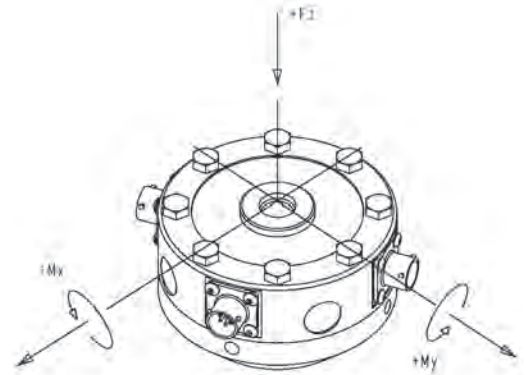
SPECIFICATIONS

Model	SW10-XYZ		SW10-XYZ		SW20-XYZ		SW30-XYZ	
	Capacity	U.S. lbf.	500/200, 1K/400, 2K/800,	5K/1K, 10K/2K	25K/10K, 50K/20K	Moment- in-lbf	Force-lbf	Moment- in-lbf
PARAMETERS	Force-lbf	Moment- in-lbf	Force-lbf	Moment- in-lbf	Force-lbf	Moment- in-lbf	Force-lbf	Moment- in-lbf
ACCURACY								
Static Error Band, % Rated Output	+/-0.040	+/-1.0	+/-0.040	+/-1.0	+/-0.050	+/-1.0	+/-0.050	+/-1.0
Nonlinearity, % Rated Output	+/-0.030	+/-1.0	+/-0.030	+/-1.0	+/-0.050	+/-1.0	+/-0.050	+/-1.0
Hysteresis, % Rated Output	+/-0.040	+/-0.10	+/-0.040	+/-0.10	+/-0.050	+/-0.10	+/-0.050	+/-0.10
Nonrepeatability, % Rated Output	+/-0.010	+/-0.050	+/-0.010	+/-0.050	+/-0.010	+/-0.050	+/-0.010	+/-0.050
Creep, % in 20 minutes	+/-0.025	+/-0.025	+/-0.025	+/-0.025	+/-0.025	+/-0.025	+/-0.025	+/-0.025
Off-Center Load Sensitivity, %/inch	+/-0.250	+/-1.0	+/-0.250	+/-1.0	+/-0.250	+/-1.0	+/-0.250	+/-1.0
Side Load Sensitivity, %	+/-0.250	+/-1.0	+/-0.250	+/-1.0	+/-0.250	+/-1.0	+/-0.250	+/-1.0
Zero Balance, % Rated Output	+/-1.0	+/-1.0	+/-1.0	+/-1.0	+/-1.0	+/-1.0	+/-1.0	+/-1.0
TEMPERATURE								
Range, Compensated, °F	+15 to +115	+15 to +115	+15 to +115	+15 to +115	+15 to +115	+15 to +115	+15 to +115	+15 to +115
Range, Compensated, °C	-10 to +45	-10 to +45	-10 to +45	-10 to +45	-10 to +45	-10 to +45	-10 to +45	-10 to +45
Range, Operating, °F	-65 to +200	-65 to +200	-65 to +200	-65 to +200	-65 to +200	-65 to +200	-65 to +200	-65 to +200
Range, Operating, °C	-55 to +90	-55 to +90	-55 to +90	-55 to +90	-55 to +90	-55 to +90	-55 to +90	-55 to +90
Effect on Sensitivity, % Rdg/ °F	+/-0.080	+/-0.080	+/-0.080	+/-0.080	+/-0.080	+/-0.080	+/-0.080	+/-0.080
Effect on Sensitivity, % Rdg/ °C	+/-0.150	+/-0.150	+/-0.150	+/-0.150	+/-0.150	+/-0.150	+/-0.150	+/-0.150
Effect on Zero, % Rated Output/ °F	+/-0.150	+/-0.150	+/-0.150	+/-0.150	+/-0.150	+/-0.150	+/-0.150	+/-0.150
Effect on Zero, % Rated Output/ °C	+/-0.270	+/-0.270	+/-0.270	+/-0.270	+/-0.270	+/-0.270	+/-0.270	+/-0.270
ELECTRICAL								
Rated Output, mV/V, Nominal	2	1.5	4	1.5	4	1.5	4	1.5
Excitation Voltage, VDC Maximum	20	20	20	20	20	20	20	20
Input Resistance, Ohms	350	350	350	350	350	350	350	350
Output Resistance, Ohms	350	350	350	350	350	350	350	350
Insulation Resistance, Megohm	5000	5000	5000	5000	5000	5000	5000	5000
Bayonet Connector	PT02E-10-6P (MS3112E-10-6P)							
MECHANICAL								
Safe Overload Range, % Rated Capacity	+/-150	+/-150	+/-150	+/-150	+/-150	+/-150	+/-150	+/-150
Weight lb	1.0	1.0	1.0	1.0	9.1	9.1	23.5	23.5
Weight kg	0.45	0.45	0.45	0.45	4.13	4.13	10.66	10.66
Weight w/base lb	2.5	2.5	2.5	2.5	21.5	21.5	52.5	52.5
Weight w/base kg	1.13	1.13	1.13	1.13	9.75	9.75	23.81	23.81
Flexure Material	Aluminum		Steel		Steel		Steel	

AXIAL FORCE AND MOMENT (SW-XYZ) SERIES

DIMENSIONS

Model	SW10-XYZ	SW10-XYZ	SW20-XYZ	SW30-XYZ
Capacity	500/200, 1K/400, 2K/800	5K/1K, 10K/2K	25K/10K, 50K/20K	100K/50K
Dimensions	inch	inch	inch	inch
1.	2.51	2.51	3.51	4.50
2.	R 2.53	R 2.53	R 3.50	R 4.50
3.	4.12	4.12	6.06	8.00
4.	1.38	1.38	1.75	2.50
5.	1.25	1.25	1.63	2.25
6.	1.29	1.29	2.34 25K/10K 2.58 50K/20K	3.76
7.	3.50	3.50	5.13	6.50
8.	22.5°	22.5°	15°	11.25°
9.	.28 8 Places	.28 8 Places	.41 12 Places	.53 16 Places
10.	1/2-20 1.12 Deep	5/8-18 1.12 Deep	1 1/4 - 12 1.50 Deep	1 3/4-12 2.20 Deep
11.	0.18	0.18	0.29	.40
12.	1.13	1.13	1.75	2.00
13.	0.03	0.03	0.03	0.03
14.	1.25	1.25	2.25	3.00
15.	1/2-20 .88 Deep	5/8-18 .88 Deep	1 1/4 - 12 1.50 Deep	1 3/4-12 1.75 Deep



OPTIONS

- Additional bridges
- Output adjustment to standard
- Compression overload protection
- Integral cable
- Custom connectors
- Connector Protectors
- Base

ACCESSORIES

- Mating connector
- Loading fixtures
- Interconnect cable
- Shunt calibration resistor
- Instrumentation

5000 SERIES HIGH CAPACITY UNIVERSAL FORCE TRANSDUCER

FEATURES

- Universal Tension and Compression
- .2% Accuracy
- Capacities to 1 Million lbf.
- 5pt Tension & Compression Calibration
- Proprietary Modulus Compensated Strain Gages
- Metric Capacities Available - Contact Factory



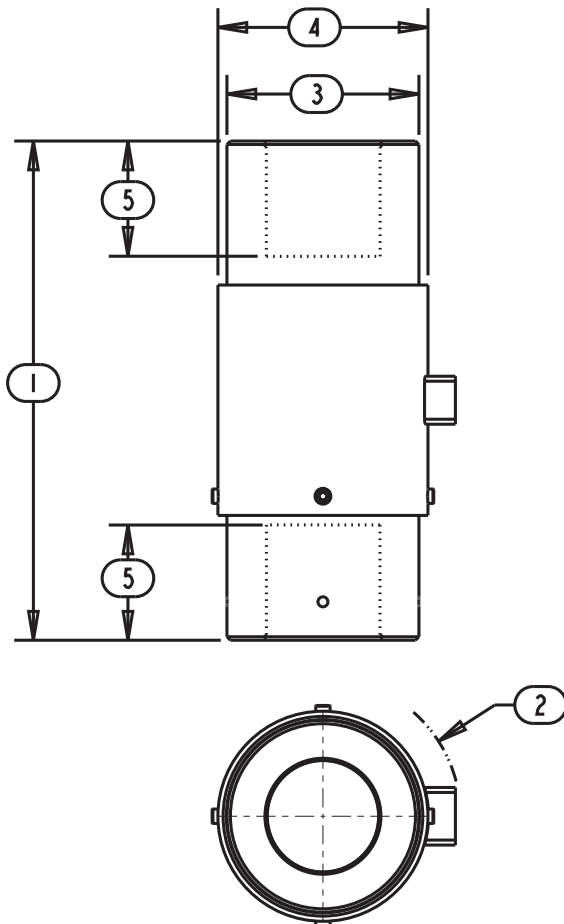
SPECIFICATIONS

Model	5030	5040	5060	5080
Capacity U.S. lbf.	100K, 135K	250K, 300K	500K, 600K	1000K
PARAMETERS				
ACCURACY				
Static Error Band, % Rated Output	+/-0.200	+/-0.200	+/-0.200	+/-0.200
Nonlinearity, % Rated Output	+/-0.200	+/-0.200	+/-0.200	+/-0.200
Hysteresis, % Rated Output	+/-0.200	+/-0.200	+/-0.200	+/-0.200
Nonrepeatability, % Rated Output	+/-0.010	+/-0.010	+/-0.010	+/-0.010
Creep, % in 20 minutes	+/-0.025	+/-0.025	+/-0.025	+/-0.025
Zero Balance, % Rated Output	+/-1.0	+/-1.0	+/-1.0	+/-1.0
TEMPERATURE				
Range, Compensated, °F	+15 to +115	+15 to +115	+15 to +115	+15 to +115
Range, Compensated, °C	-10 to +45	-10 to +45	-10 to +45	-10 to +45
Range, Operating, °F	-30 to +200	-30 to +200	-30 to +200	-30 to +200
Range, Operating, °C	-35 to +90	-35 to +90	-35 to +90	-35 to +90
Effect on Sensitivity, % Rdg/ °F	+/-0.003	+/-0.003	+/-0.003	+/-0.003
Effect on Sensitivity, % Rdg/ °C	+/-0.006	+/-0.006	+/-0.006	+/-0.006
Effect on Zero, % Rated Output/ ° F	+/-0.003	+/-0.003	+/-0.003	+/-0.003
Effect on Zero, % Rated Output/ ° C	+/-0.006	+/-0.006	+/-0.006	+/-0.006
ELECTRICAL				
Rated Output, mV/V, Nominal	2	2	2	2
Excitation Voltage, VDC Maximum	15	15	15	15
Input Resistance, Ohms	350	350	350	350
Output Resistance, Ohms	350	350	350	350
Insulation Resistance, Megohm	5000	5000	5000	5000
Bayonet Connector	PT02E-10-6P (MS3112E-10-6P)			
MECHANICAL				
Safe Overload Range, % Rated Capacity	+/-150	+/-150	+/-150	+/-150
Weight lb	19	52	146, 153	329
Flexure Material	Steel			

5000 SERIES HIGH CAPACITY UNIVERSAL FORCE TRANSDUCER

DIMENSIONS

Model	5030	5040	5060	5080
Capacity	100K, 135K lbf	250K, 300K lbf	500K, 600K lbf	1000K lbf
Dimensions	inch	inch	inch	inch
1.	10.00	15.30	23.00	27.50
2.	R 2.56	R 3.53	R 4.27	R 6.27
3.	3.50	5.00	6.50	9.00
4.	3.85	5.50	7.00	9.50
5.	2-12 2.00 Deep	3-12 3.00 Deep	4-8 4.50 Deep	6-8 6.00 Deep



OPTIONS

- Additional bridges
- Output adjustment to standard
- Compression overload protection
- Integral cable
- Custom connectors
- Connector Protectors

ACCESSORIES

- Mating connector
- Loading fixtures
- Interconnect cable
- Shunt calibration resistor
- Instrumentation

5100 SERIES HIGH CAPACITY COMPRESSION COLUMN FORCE TRANSDUCERS

FEATURES

- Compact Design
- .15% Accuracy
- Special Capacities to 2 Million lbf.
- 5pt Compression Calibration
- Proprietary Modulus Compensated Strain Gages
- Metric Capacities Available - Consult Factory



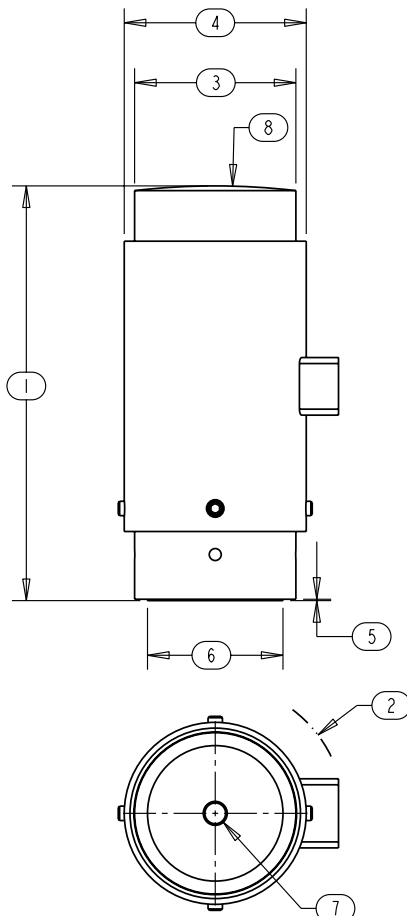
SPECIFICATIONS

Model	5130	5135	5140	5160	5180
Capacity U.S. lbf.	100K	200K	300, 400K	500K, 600K	750K, 1000K
PARAMETERS					
ACCURACY					
Static Error Band, % Rated Output	+/-0.150	+/-0.150	+/-0.150	+/-0.150	+/-0.150
Nonlinearity, % Rated Output	+/-0.150	+/-0.150	+/-0.150	+/-0.150	+/-0.150
Hysteresis, % Rated Output	+/-0.150	+/-0.150	+/-0.150	+/-0.150	+/-0.150
Nonrepeatability, % Rated Output	+/-0.010	+/-0.010	+/-0.010	+/-0.010	+/-0.010
Creep, % in 20 minutes	+/-0.025	+/-0.025	+/-0.025	+/-0.025	+/-0.025
Zero Balance, % Rated Output	+/-1.0	+/-1.0	+/-1.0	+/-1.0	+/-1.0
TEMPERATURE					
Range, Compensated, °F	+15 to +115	+15 to +115	+15 to +115	+15 to +115	+15 to +115
Range, Compensated, °C	-10 to +45	-10 to +45	-10 to +45	-10 to +45	-10 to +45
Range, Operating, °F	-30 to +200	-30 to +200	-30 to +200	-30 to +200	-30 to +200
Range, Operating, °C	-34 to +90	-34 to +90	-34 to +90	-34 to +90	-34 to +90
Effect on Sensitivity, % Rdg/ °F	+/-0.003	+/-0.003	+/-0.003	+/-0.003	+/-0.003
Effect on Sensitivity, % Rdg/ °C	+/-0.006	+/-0.006	+/-0.006	+/-0.006	+/-0.006
Effect on Zero, % Rated Output/ ° F	+/-0.003	+/-0.003	+/-0.003	+/-0.003	+/-0.003
Effect on Zero, % Rated Output/ ° C	+/-0.006	+/-0.006	+/-0.006	+/-0.006	+/-0.006
ELECTRICAL					
Rated Output, mV/V, Nominal	2	2	2	2	2
Excitation Voltage, VDC Maximum	15	15	15	15	15
Input Resistance, Ohms	350	350	350	350	350
Output Resistance, Ohms	350	350	350	350	350
Insulation Resistance, Megohm	5000	5000	5000	5000	5000
Bayonet Connector	PT02E-10-6P (MS3112E-10-6P)				
MECHANICAL					
Safe Overload Range, % Rated Capacity	150	150	150	150	150
Weight lb	5	13	25	45, 46	96
Flexure Material	Steel	Steel	Steel	Steel	Steel

5100 SERIES HIGH CAPACITY COMPRESSION COLUMN FORCE TRANSDUCERS

DIMENSIONS

Model	5130	5135	5140	5160	5180
Capacity	100K lbf	200K lbf	300K, 400K lbf	500K, 600K lbf	750K, 1000K lbf
Dimensions	inch	inch	inch	inch	inch
1.	5.00	7.00	9.00	10.00	12.00
2.	R 1.99, 2.26	R 2.33	R 2.78- 300K R 3.00- 400K	R 3.29	R 4.02
3.	2.00	3.00	3.50-300K 3.70-400K	4.50	6.00
4.	2.38	3.25	3.95	5.00	6.50
5.	.03	.03	.03	.03	.03
6.	1.68	2.37	2.94-300K 3.50-400K	3.89	5.02
7.	3/8 -24 .50 Deep	1/2 - 20 .50 Deep	1/2 - 20 .75 Deep.	1 - 14 .75 Deep	1 - 14 1.00 Deep
8.	R 12	R 12	R 15-300K R 16-400K	R 20	R 20



OPTIONS

- Additional bridges
- Output adjustment to standard
- Compression overload protection
- Integral cable
- Custom connectors
- Connector Protectors

ACCESSORIES

- Mating connector
- Loading fixtures
- Interconnect cable
- Shunt calibration resistor
- Instrumentation

5200 SERIES UNIVERSAL HIGH CAPACITY LOAD CELLS

FEATURES

- Universal Tension and Compression
- 4 Column Cell
- .1% Accuracy
- Accomodates High Side and Off-Center Loads
- 5pt Tension & Compression Calibration
- Proprietary Modulus Compensated Strain Gages
- Metric Capacities Available - Consult Factory



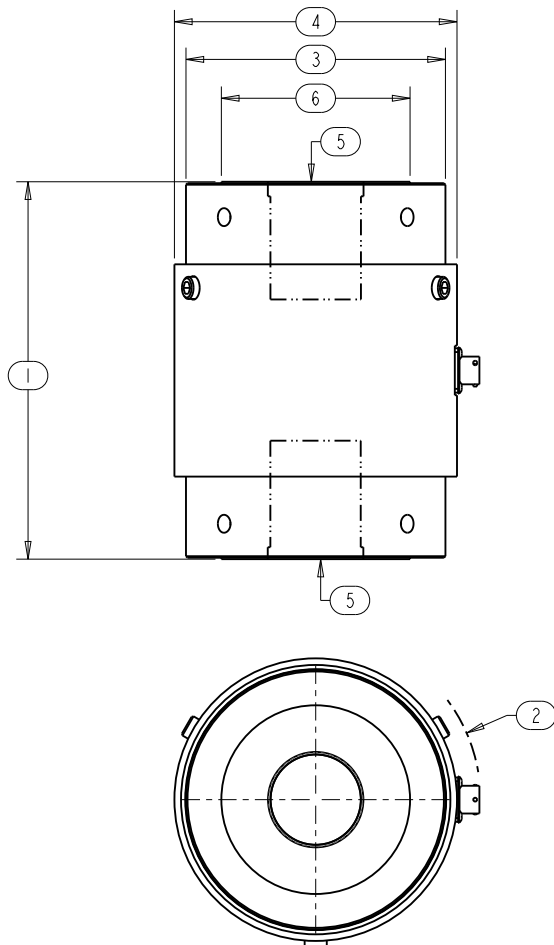
SPECIFICATIONS

Model	5230	5240	5260	5280
Capacity U.S. lbf.	100K, 135K	250K	500K	1000K
PARAMETERS				
ACCURACY				
Static Error Band, % Rated Output	+/- .100	+/- .100	+/- .100	+/- .150
Nonlinearity, % Rated Output	+/- .100	+/- .100	+/- .100	+/- .150
Hysteresis, % Rated Output	+/- .100	+/- .100	+/- .100	+/- .150
Nonrepeatability, % Rated Output	+/- .010	+/- .010	+/- .010	+/- .010
Creep, % in 20 minutes	+/- .025	+/- .025	+/- .025	+/- .025
Zero Balance, % Rated Output	+/- 1.0	+/- 1.0	+/- 1.0	+/- 1.0
TEMPERATURE				
Range, Compensated, °F	+15 to +115	+15 to +115	+15 to +115	+15 to +115
Range, Compensated, °C	-10 to +45	-10 to +45	-10 to +45	-10 to +45
Range, Operating, °F	-30 to +200	-30 to +200	-30 to +200	-30 to +200
Range, Operating, °C	-34 to +90	-34 to +90	-34 to +90	-34 to +90
Effect on Sensitivity, % Rdg/ °F	+/- 0.0008	+/- 0.0008	+/- 0.0008	+/- 0.0008
Effect on Sensitivity, % Rdg/ °C	+/- 0.0015	+/- 0.0015	+/- 0.0015	+/- 0.0015
Effect on Zero, % Rated Output/ ° F	+/- 0.0015	+/- 0.0015	+/- 0.0015	+/- 0.0015
Effect on Zero, % Rated Output/ ° C	+/- 0.0027	+/- 0.0027	+/- 0.0027	+/- 0.0027
ELECTRICAL				
Rated Output, mV/V, Nominal	2	2	2	2
Excitation Voltage, VDC Maximum	15	15	15	15
Input Resistance, Ohms	700	700	700	700
Output Resistance, Ohms	700	700	700	700
Insulation Resistance, Megohm	5000	5000	5000	5000
Bayonet Connector	PT02E-10-6P (MS3112E-10-6P)			
MECHANICAL				
Safe Overload Range, % Rated Capacity	+/- 150	+/- 150	+/- 150	+/- 150
Weight lb	34	42	129	331
Flexure Material	Steel			

5200 SERIES UNIVERSAL HIGH CAPACITY LOAD CELLS

DIMENSIONS

Model	5230	5240	5260	5280
Capacity	100K, 135K lbf	250K lbf	500K lbf	1000K
Dimensions	inch	inch	inch	Consult Factory
1.	8.00	8.00	12.00	
2.	R 3.23	R 3.48	R 4.96	
3.	5.00	5.50	8.40	
4.	5.49	5.99	8.90	
5.	2-12 2.4 Deep	2-12 2.75 Deep	4-8 4.0 Deep	
6.	3.30	4.00	6.00	



OPTIONS

- Additional bridges
- Output adjustment to standard
- Compression overload protection
- Integral cable
- Custom connectors
- Connector Protectors

ACCESSORIES

- Mating connector
- Loading fixtures
- Interconnect cable
- Shunt calibration resistor
- Instrumentation

STAINLESS STEEL (SWS) SERIES FORCE TRANSDUCERS

FEATURES

- Stainless Steel Construction
- Welded Diaphragm
- Optional Hermetically Sealed Connector
- Guaranteed Maximum Off-Center Load and Moment Error
- Low Creep
- Low Susceptibility to Magnetic Fields
- Temperature and Barometric Pressure Compensation
- 5pt Tension & Compression Calibration
- Proprietary Modulus Compensated Strain Gages



Note: Shown with Optional Integral Cable

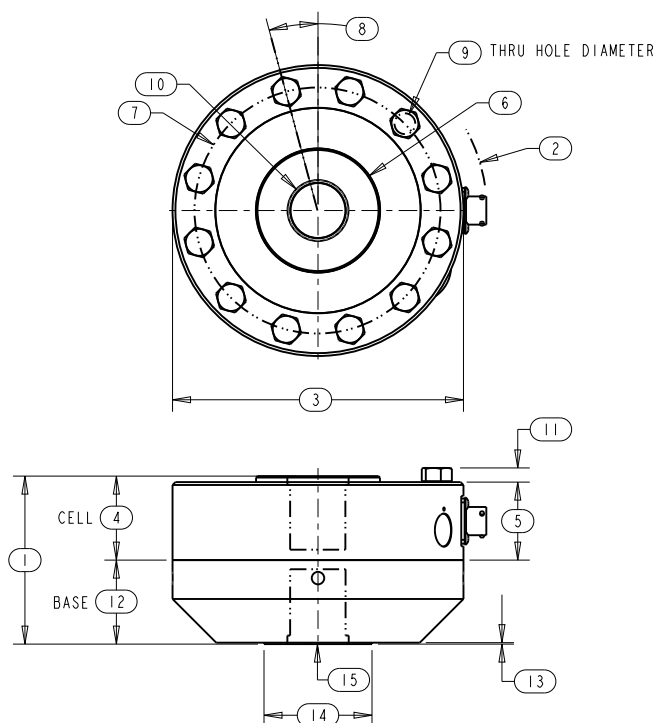
SPECIFICATIONS

Model	SWS10	SWS20	SWS30
Capacity U.S. lbf.	5K, 10K	25K, 50K	100K
Metric kN	25, 50	100, 250	500
PARAMETERS			
ACCURACY			
Static Error Band, % Rated Output	+/-0.050	+/-0.050	+/-0.060
Nonlinearity, % Rated Output	+/-0.050	+/-0.050	+/-0.050
Hysteresis, % Rated Output	+/-0.060	+/-0.060	+/-0.060
Nonrepeatability, % Rated Output	+/-0.010	+/-0.010	+/-0.010
Creep, % in 20 minutes	+/-0.025	+/-0.025	+/-0.025
Off-Center Load Sensitivity, %/inch	+/-0.250	+/-0.250	+/-0.250
Side Load Sensitivity, %	+/-0.250	+/-0.250	+/-0.250
Zero Balance, % Rated Output	+/-1.0	+/-1.0	+/-1.0
TEMPERATURE			
Range, Compensated, °F	+15 to +115	+15 to +115	+15 to +115
Range, Compensated, °C	-10 to +45	-10 to +45	-10 to +45
Range, Operating, °F	-65 to +200	-65 to +200	-65 to +200
Range, Operating, °C	-55 to +90	-55 to +90	-55 to +90
Effect on Sensitivity, % Rdg/ °F	+/-0.0008	+/-0.0008	+/-0.0008
Effect on Sensitivity, % Rdg/ °C	+/-0.0015	+/-0.0015	+/-0.0015
Effect on Zero, % Rated Output/ °F	+/-0.0015	+/-0.0015	+/-0.0015
Effect on Zero, % Rated Output/ °C	+/-0.0027	+/-0.0027	+/-0.0027
ELECTRICAL			
Rated Output, mV/V, Nominal	4	4	4
Excitation Voltage, VDC Maximum	20	20	20
Input Resistance, Ohms	350 + 40/-3.5	350 + 40/-3.5	350 + 40/-3.5
Output Resistance, Ohms	350 +/-3.5	350 +/-3.5	350 +/-3.5
Insulation Resistance, Megohm	5000 @ 50 VDC	5000 @ 50 VDC	5000 @ 50 VDC
Bayonet Connector	PT02E-10-6P (MS3112E-10-6P)		
MECHANICAL			
Safe Overload Range, % Rated Capacity	+/-150	+/-150	+/-150
Weight lb	2.9	9.1	23.5
Weight kg	1.3	4.1	10.7
Weight w/base lb	6.5	21.5	52.5
Weight w/base kg	3.0	9.8	23.8
Flexure Material	Stainless Steel		

STAINLESS STEEL (SWS) SERIES FORCE TRANSDUCERS

DIMENSIONS

Model	SWS10	SWS10M	SWS20	SWS20M	SWS30	SWS30M
Capacity	5K, 10K lbf	25, 50 kN	25K, 50K lbf	100, 250 kN	100K lbf	500kN
Dimensions	inch	mm	inch	mm	inch	mm
1.	2.51	63.5	3.51	88.9	4.50	114.3
2.	R 2.53	R 64.3	R 3.50	R 88.9	R 4.50	R 114.3
3.	4.12	104.8	6.06	154.0	8.00	203.2
4.	1.38	34.9	1.75	44.5	2.50	63.5
5.	1.25	31.8	1.63	41.3	2.25	57.2
6.	1.29	32.8	2.34 25K 2.58 50K	59.4 100kN 65.6 250kN	3.76	95.6
7.	3.50	88.9	5.13	130.3	6.50	165.1
8.	22.5°	22.5°	15°	15°	11.25°	11.25°
9.	28 8 Places	7.1 8 Places	.41 12 Places	10.3 12 Places	.53 16 Places	13.5 16 Places
10.	5/8 - 18 1.12 Deep	M16 x 2 28.5 Deep	1 1/4 - 12 1.50 Deep	M33x 2 38.1 Deep	1 3/4-12 2.20 Deep	M42 x 2 55.9 Deep
11.	0.18	4.7	0.29	7.5	.40	10.2
12.	1.13	28.6	1.75	44.5	2.00	50.8
13.	0.03	0.8	0.03	0.8	0.03	0.8
14.	1.25	31.8	2.25	57.2	3.00	76.2
15.	5/8-18 .88 Deep	M16 X 2 22.4 Deep	1 1/4-12 1.50 Deep	M33 X 2 38.1 Deep	1 3/4-12 1.75 Deep	M42 X 2 44.5 Deep



OPTIONS

- Additional bridges
- Output adjustment to standard
- Compression overload protection
- Hermetically sealed connector
- Connector Protectors
- Integral cable

ACCESSORIES

- Mating connector
- Loading fixtures
- Interconnect cable
- Shunt calibration resistor
- Instrumentation

FATIGUE RATED STAINLESS STEEL (FRS) SERIES FORCE TRANSDUCERS

FEATURES

- Stainless Steel Construction
- Welded Diaphragm
- Optional Hermetically Sealed Connector
- Guaranteed Maximum Off-Center Load and Moment Error
- Low Creep
- Low Susceptibility to Magnetic Fields
- Temperature and Barometric Pressure Compensation
- 5pt Tension & Compression Calibration
- Proprietary Modulus Compensated Strain Gages



Note: Shown with Optional Connector and Connector Box

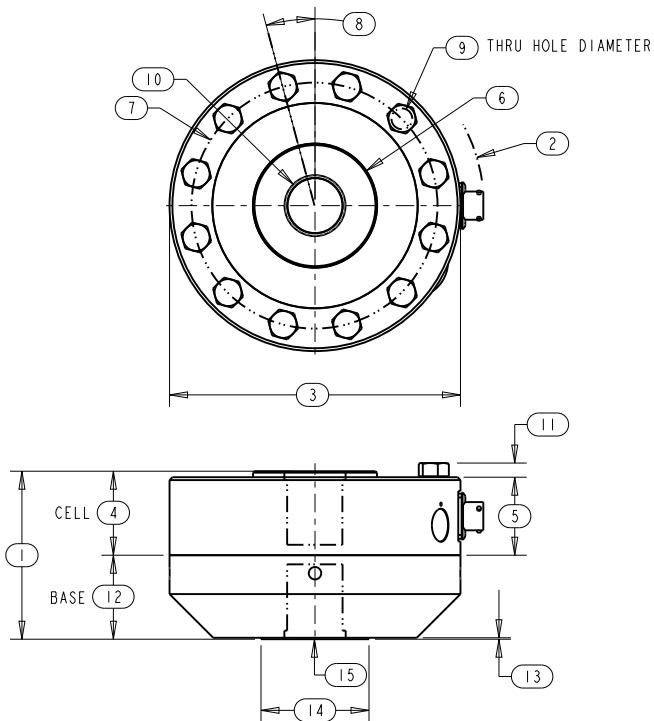
SPECIFICATIONS

Model	FRS10	FRS20
Capacity U.S. lbf.	2.5K, 5K	12.5K, 25K
PARAMETERS Metric kN	12.5, 25	50, 125
ACCURACY		
Static Error Band, % Rated Output	+/-0.050	+/-0.050
Nonlinearity, % Rated Output	+/-0.050	+/-0.050
Hysteresis, % Rated Output	+/-0.060	+/-0.060
Nonrepeatability, % Rated Output	+/-0.010	+/-0.010
Creep, % in 20 minutes	+/-0.025	+/-0.025
Off-Center Load Sensitivity, %/inch	+/-0.250	+/-0.250
Side Load Sensitivity, %	+/-0.250	+/-0.250
Zero Balance, % Rated Output	+/-1.0	+/-1.0
TEMPERATURE		
Range, Compensated, °F	+15 to +115	+15 to +115
Range, Compensated, °C	-10 to +45	-10 to +45
Range, Operating, °F	-65 to +200	-65 to +200
Range, Operating, °C	-55 to +90	-55 to +90
Effect on Sensitivity, % Rdg/ °F	+/-0.0008	+/-0.0008
Effect on Sensitivity, % Rdg/ °C	+/-0.0015	+/-0.0015
Effect on Zero, % Rated Output/ ° F	+/-0.0015	+/-0.0015
Effect on Zero, % Rated Output/ ° C	+/-0.0027	+/-0.0027
ELECTRICAL		
Rated Output, mV/V, Nominal	2	2
Excitation Voltage, VDC Maximum	20	20
Input Resistance, Ohms	350 + 40/-3.5	350 + 40/-3.5
Output Resistance, Ohms	350 +/-3.5	350 +/-3.5
Insulation Resistance, Megohm	5000 @ 50 VDC	5000 @ 50 VDC
Bayonet Connector	PT02E-10-6P (MS3112E-10-6P)	
MECHANICAL		
Safe Overload Range, % Rated Capacity	+/-300	+/-300
Weight lb	2.9	9.1
Weight kg	1.3	4.1
Weight w/base lb	6.5	21.5
Weight w/base kg	3.0	9.8
Flexure Material	Stainless Steel	

FATIGUE RATED STAINLESS STEEL (FRS) SERIES FORCE TRANSDUCERS

DIMENSIONS

Model	FRS10	FRS10M	FRS20	FRS20M
Capacity	2.5K, 5K lbf	12.5, 25 kN	12.5K, 25K lbf	50, 125 kN
Dimensions	inch	mm	inch	mm
1.	2.51	63.5	3.51	88.9
2.	R 2.53	R 64.3	R 3.50	R 88.9
3.	4.12	104.8	6.06	154.0
4.	1.38	34.9	1.75	44.5
5.	1.25	31.8	1.63	41.3
6.	1.29	32.8	2.34 12.5K 2.58 25K	59.4 50 kN 65.6 125 kN
7.	3.50	88.9	5.13	130.3
8.	22.5°	22.5°	15°	15°
9.	.28 8 Places	7.1 8 Places	.41 12 Places	10.3 12 Places
10.	5/8 - 18 1.12 Deep	M16 x 2 28.5 Deep.	1 1/4 - 12 1.50 Deep	M33x 2 38.1 Deep
11.	0.18	4.7	0.29	7.5
12.	1.13	28.6	1.75	44.5
13.	0.03	0.8	0.03	0.8
14.	1.25	31.8	2.25	57.2
15.	5/8 - 18 .88 Deep	M16 x 2 22.4 Deep	1 1/4 - 12 1.50 Deep	M33 x 2 38.1 Deep



OPTIONS

- Additional bridges
- Output adjustment to standard
- Compression overload protection
- Hermetically sealed connector
- Connector Protectors
- Integral cable

ACCESSORIES

- Mating connector
- Loading fixtures
- Interconnect cable
- Shunt calibration resistor
- Instrumentation

LOW HEIGHT COLUMN 2029/2030 SERIES FORCE TRANSDUCERS

FEATURES

- Sealed for Environmental Protection
- Water Immersion to 300 ft.
- Integral Cable
- External Male Threads
- 5pt Tension & Compression Calibration
- Proprietary Modulus Compensated Strain Gages
- Optional Female Thread
- Metric Capacities Available- Consult Factory



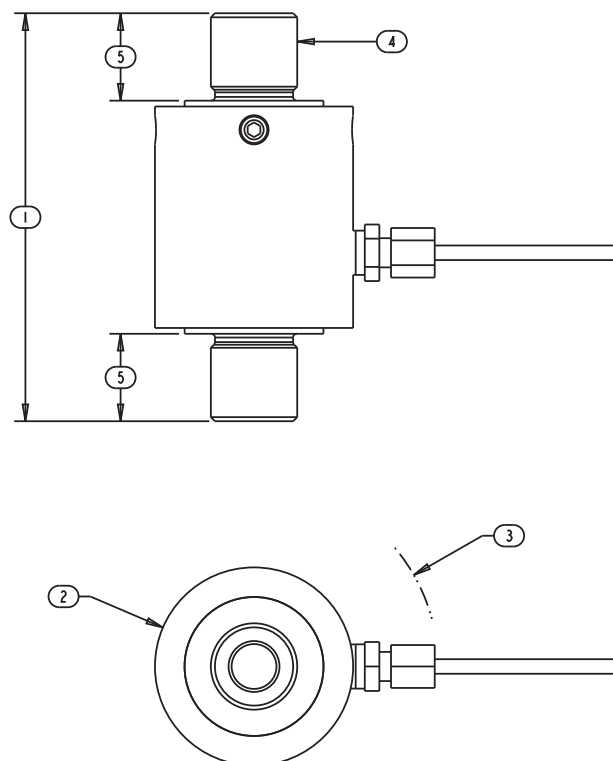
Note: shown with Optional Female Threads.

SPECIFICATIONS

Model	2029	2030
Capacity U.S. lbf.	500, 1000, 5K	2.5K, 5K, 7.5K
PARAMETERS		
ACCURACY		
Static Error Band, % Rated Output	+/-0.250	+/-0.250
Nonlinearity, % Rated Output	+/-0.250	+/-0.250
Hysteresis, % Rated Output	+/-0.150	+/-0.150
Nonrepeatability, % Rated Output	+/-0.050	+/-0.050
Creep, % in 20 minutes	+/-0.030	+/-0.030
Zero Balance, % Rated Output	+/-1.0	+/-1.0
TEMPERATURE		
Range, Compensated, °F	+15 to +115	+15 to +115
Range, Compensated, °C	-10 to +45	-10 to +45
Range, Operating, °F	-65 to +200	-65 to +200
Range, Operating, °C	-55 to +90	-55 to +90
Effect on Sensitivity, % Rdg/ °F	+/-0.0015	+/-0.0015
Effect on Sensitivity, % Rdg/ °C	+/-0.0027	+/-0.0027
Effect on Zero, % Rated Output/ °F	+/-0.0015	+/-0.0015
Effect on Zero, % Rated Output/ °C	+/-0.0027	+/-0.0027
ELECTRICAL		
Rated Output, mV/V, Nominal	1	1
Excitation Voltage, VDC Maximum	15	15
Input Resistance, Ohms	1000 +100/-10	1000 +100/-10
Output Resistance, Ohms	1000 +100/-10	1000 +100/-10
Insulation Resistance, Megohm	5000 (@ 50VDC)	
MECHANICAL		
Safe Overload Range, % Rated Capacity	+/-150	+/-150
Weight lb	0.7	0.8
Flexure Material	Stainless Steel	Stainless Steel

DIMENSIONS

Model	2029	2030
Capacity	500, 1000, 5K lbf	2.5K, 5K, 7.5K lbf
Dimensions	inch	inch
1.	3.50	3.50
2.	1.70	1.70
3.	R 1.57	R 1.57
4.	5/8-18	3/4-16
5.	.75	.75



2121 SERIES COMPACT STAINLESS STEEL COMPRESSION LOAD CELLS

FEATURES

- Compact Size
- Accuracy-.05% - .07% of Rated Output
- Optional Full Encapsulation for Harsh Environments
- 5pt Compression Calibration
- Proprietary Modulus Compensated Strain Gages
- Optional Connectors or Integral Cable

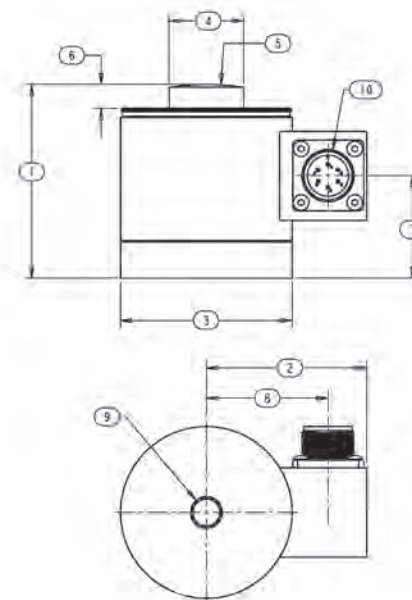


SPECIFICATIONS

Model	2121
Capacity	U.S. lbf. 10K, 25K lbf
PARAMETERS	Metric kN 45, 100
ACCURACY	
Static Error Band, % Rated Output	+/-0.070
Nonlinearity, % Rated Output	+/-0.070
Hysteresis, % Rated Output	+/-0.050
Nonrepeatability, % Rated Output	+/-0.010
Creep, % in 20 minutes	+/-0.025
Zero Balance, % Rated Output	+/-1.0
TEMPERATURE	
Range, Compensated, °F	+15 to +115
Range, Compensated, °C	-10 to +45
Range, Operating, °F	-30 to +200
Range, Operating, °C	-35 to +93
Effect on Sensitivity, % Rdg/ °F	+/-0.0020
Effect on Sensitivity, % Rdg/ °C	+/-0.0036
Effect on Zero, % Rated Output/ °F	+/-0.0020
Effect on Zero, % Rated Output/ °C	+/-0.0036
ELECTRICAL	
Rated Output, mV/V, Nominal	2
Excitation Voltage, VDC Maximum	15
Input Resistance, Ohms	350
Output Resistance, Ohms	350
Insulation Resistance, Megohm	5000
Bayonet Connector	MS3102E-14S-6P
MECHANICAL	
Safe Overload Range, % Rated Capacity	+/-150
Weight lb	3.6
Weight kg	1.6
Flexure Material	Stainless Steel

DIMENSIONS

Model	2121	2121
Capacity	10K, 25K lbf	45, 100 kN
Dimensions	inch	mm
1.	3.25	82.55
2.	2.69	68.3
3.	2.88	73.15
4.	1.25	31.75
5.	4	101.6
6.	.40	10.16
7.	1.72	43.69
8.	2.04	51.82
9.	1/2-20 .5 Deep	M12 X 1.25 12.7 Deep



MODEL 4110 STAINLESS STEEL FORCE TRANSDUCERS

FEATURES

- Stainless Steel Construction
- Compact Size
- Welded Diaphragm
- 5pt Tension & Compression Calibration
- Optional Hermetically Sealed Connector
- Optional Base
- Counterbored Mounting Holes
- Proprietary Modulus Compensated Strain Gages

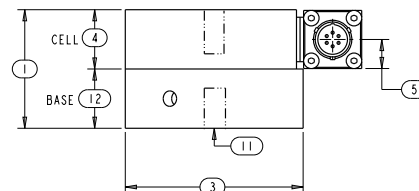
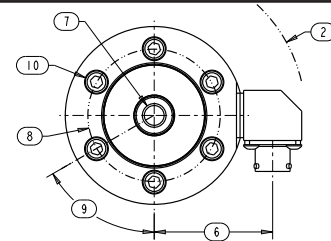


SPECIFICATIONS

Model	4110	4115
Capacity U.S. lbf.	500, 1K	2K, 5K
PARAMETERS		
ACCURACY		
Static Error Band, % Rated Output	+/-0.100	+/-0.100
Nonlinearity, % Rated Output	+/-0.100	+/-0.100
Hysteresis, % Rated Output	+/-0.100	+/-0.100
Nonrepeatability, % Rated Output	+/-0.020	+/-0.020
Creep, % in 20 minutes	+/-0.050	+/-0.050
Zero Balance, % Rated Output	+/-2.0	+/-2.0
TEMPERATURE		
Range, Compensated, °F	+15 to +115	+15 to +115
Range, Compensated, °C	-10 to +45	-10 to +45
Range, Operating, °F	-65 to +200	-65 to +200
Range, Operating, °C	-55 to +90	-55 to +90
Effect on Sensitivity, % Rdg/ °F	+/-0.0020	+/-0.0020
Effect on Sensitivity, % Rdg/ °C	+/-0.0036	+/-0.0036
Effect on Zero, % Rated Output/ ° F	+/-0.0020	+/-0.0020
Effect on Zero, % Rated Output/ ° C	+/-0.0036	+/-0.0036
ELECTRICAL		
Rated Output, mV/V, Nominal	3	3
Excitation Voltage, VDC Recommended/Max	10/15	10/15
Input Resistance, Ohms	350	350
Output Resistance, Ohms	350	350
Insulation Resistance, Megohm	5000	5000
Connector	PT02E-10-6P (MS3112E-10-6P)	
MECHANICAL		
Safe Overload Range, % Rated Capacity	+/-150	+/-150
Weight lb	1.5	2.0
Weight kg	.5	1
Flexure Material	Stainless Steel	

DIMENSIONS

Model	4110	4115
Capacity	500, 1K	2K, 5K
Dimensions	inch	inch
1.	2.00	2.00
2.	R 2.53	R 2.78
3.	3.00	3.50
4.	1.00	1.00
5.	.50	.50
6.	2.00	2.25
7.	3/8 -24 UNF 3B THRU	1/2 -20 UNF 3B THRU
8.	2.25	2.63
9.	60°	60°
10.	C'Bore for 1/4-28 SHCS 6 Places	C'Bore for 5/16-24 SHCS 6 Places
11.	3/8-24 UNF 3B .70 Deep	1/2-20 UNF 3B .70 Deep
12.	1.00	1.00



OPTIONS

Additional bridges
Output adjustment to standard
Compression overload protection
Integral cable
Connector Protectors
Custom connectors

ACCESSORIES

Mating connector
Loading fixtures
Interconnect cable
Shunt calibration resistor
Instrumentation

MODEL 4120 STAINLESS STEEL FORCE TRANSDUCERS

FEATURES

- Stainless Steel Construction
- Welded Diaphragm
- 5pt Tension & Compression Calibration
- Optional Hermetically Sealed Connector
- Optional Base
- Counterbored Mounting Holes on 10K Model
- Proprietary Modulus Compensated Strain Gages



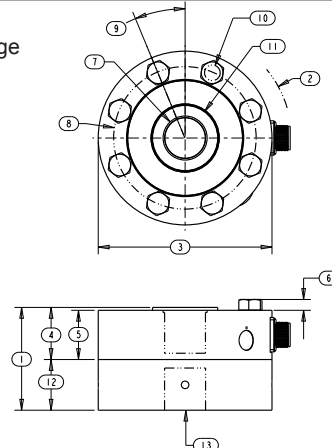
SPECIFICATIONS

Model	4120	4125
Capacity U.S. lbf.	10K	20K
PARAMETERS		
ACCURACY		
Static Error Band, % Rated Output	+/-0.100	+/-0.100
Nonlinearity, % Rated Output	+/-0.100	+/-0.100
Hysteresis, % Rated Output	+/-0.080	+/-0.080
Nonrepeatability, % Rated Output	+/-0.020	+/-0.020
Creep, % in 20 minutes	+/-0.030	+/-0.030
Zero Balance, % Rated Output	+/-2.0	+/-2.0
TEMPERATURE		
Range, Compensated, °F	+15 to +115	+15 to +115
Range, Compensated, °C	-10 to +45	-10 to +45
Range, Operating, °F	-65 to +200	-65 to +200
Range, Operating, °C	-55 to +90	-55 to +90
Effect on Sensitivity, % Rdg/ °F	+/-0.0008	+/-0.0008
Effect on Sensitivity, % Rdg/ °C	+/-0.0015	+/-0.0015
Effect on Zero, % Rated Output/ ° F	+/-0.0015	+/-0.0015
Effect on Zero, % Rated Output/ ° C	+/-0.0027	+/-0.0027
ELECTRICAL		
Rated Output, mV/V, Nominal	3	3
Excitation Voltage, VDC Recommended/Max	10/20	10/20
Input Resistance, Ohms	350	350
Output Resistance, Ohms	350	350
Insulation Resistance, Megohm	5000	5000
Connector	MS3102E14S-6	
MECHANICAL		
Safe Overload Range, % Rated Capacity	+/-150	+/-150
Weight lb	6	9
Weight kg	3	4
Flexure Material	Stainless Steel	

DIMENSIONS

Model	4120	4125
Capacity	10K	20K
Dimensions		
1.	inch	inch
2.	3.55	3.55
3.	R 3.39	R 3.62
4.	5.50	6.00
5.	1.80	1.80
6.	1.70	1.70
7.	N/A	.38
8.	1 -14 UNS 3B	1 1/2 -12 UNF 3B
9.	4.50	4.88
10.	22.5°	22.5°
11.	C Bore for 3/8-24 8 Places	.53 8 Places
12.	1.73	2.25
13.	1.75	1.75
	1 -14 1.65 Deep	1 1/2 -12 1.65 Deep

Note: 20K drawing shown. 10K package has counterbored mounting holes.



OPTIONS

Hermetically sealed connector
Custom Connectors
Base
Output Adjusted to Standard

ACCESSORIES

Mating connector
Loading fixtures
Interconnect cable
Shunt calibration resistor
Instrumentation

PREMIUM "S" TYPE (SSC) SERIES LOAD CELLS

FEATURES

- Premium Version of the Standard "S" Cell
- Designed for the Test Measurements Market
- In-Line Loading
- Sealed for Environmental Protection
- Bayonet Connector for 500 lbf and above
- 10' Cable for 250 lbf and below
- 3pt Tension Calibration
- Proprietary Modulus Compensated Strain Gages

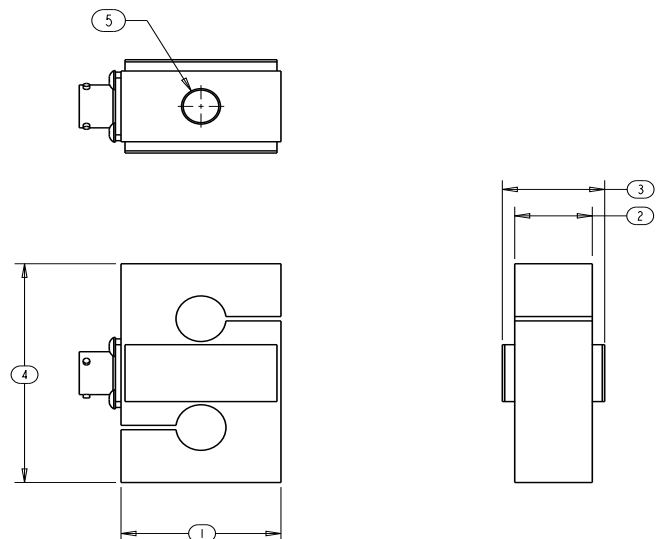


SPECIFICATIONS

Model	SSC	
	Capacity U.S. lbf.	50, 100, 250, 500, 1K
PARAMETERS		
ACCURACY		
Static Error Band, % Rated Output	+/-0.030	+/-0.050
Nonlinearity, % Rated Output	+/-0.030	+/-0.050
Hysteresis, % Rated Output	+/-0.030	+/-0.050
Nonrepeatability, % Rated Output	+/-0.010	+/-0.010
Creep, % in 20 minutes	+/-0.030	+/-0.030
Zero Balance, % Rated Output	+/-1.0	+/-1.0
TEMPERATURE		
Range, Compensated, °F	+15 to +115	+15 to +115
Range, Compensated, °C	-10 to +45	-10 to +45
Range, Operating, °F	-65 to +200	-65 to +200
Range, Operating, °C	-55 to +90	-55 to +90
Effect on Sensitivity, % Rdg/ °F	+/-0.0008	+/-0.0008
Effect on Sensitivity, % Rdg/ °C	+/-0.0015	+/-0.0015
Effect on Zero, % Rated Output/ °F	+/-0.0015	+/-0.0015
Effect on Zero, % Rated Output/ °C	+/-0.0027	+/-0.0027
ELECTRICAL		
Rated Output, mV/V, Nominal	3	3
Excitation Voltage, VDC Recommended/Max	10/15	10/15
Input Resistance, Ohms	350 +40/ -3.5	350 +40/ -3.5
Output Resistance, Ohms	350 +/- 3.5	350 +/- 3.5
Insulation Resistance, Megohm	5000 (@ 50 VDC)	
Bayonet Connector	PT02E-10-6P (MS3112E-10-6P)	
MECHANICAL		
Safe Overload Range, % Rated Capacity	+/-150	+/-150
Weight lb	0.5	1.2
Flexure Material	Aluminum	Stainless Steel

DIMENSIONS

Capacity lbf.	1	2	3	4	5
50	2.00	.48	.80	2.50	1/4 - 28 UNF -2B
100	2.00	.48	.80	2.50	1/4 - 28 UNF -2B
250	2.00	.48	.80	2.50	1/4 - 28 UNF -2B
500	2.00	.97	1.30	3.00	1/2 - 20 UNF -2B
1K	2.00	.97	1.30	3.00	1/2 - 20 UNF -2B
2K	2.00	.97	1.30	2.97	1/2 - 20 UNF -2B
3K	2.00	.97	1.30	2.97	1/2 - 20 UNF -2B
5K	2.50	1.47	1.80	3.47	5/8 - 18 UNF -2B



OPTIONS

Output adjustment to standard
Integral cable
Special connector
Metric Capacities
3pt Tension & Compression
Calibration

ACCESSORIES

Mating connector
Loading fixtures
Interconnect cable
Shunt calibration resistor
Instrumentation

SCT SERIES PRECISION OVERLOAD PROTECTED S-TYPE LOAD CELLS

FEATURES

- Overload Protected to 1000% of FS in both Tension and Compression
- High Accuracy-.02% of R.O.
- Integral Cable
- 5pt Tension & Compression Calibration
- Proprietary Modulus Compensated Strain Gages

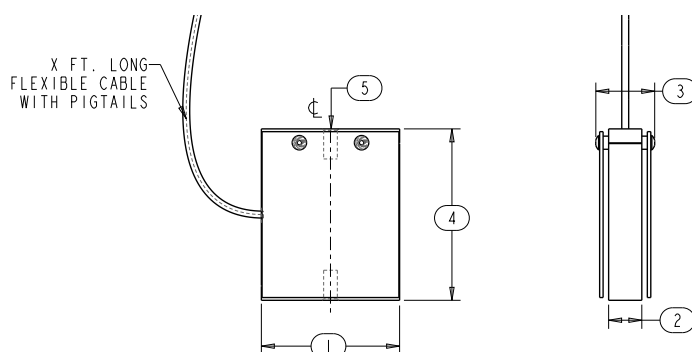


SPECIFICATIONS

Model	SCT	
Capacity	U.S. lbf.	2.2 - 225
PARAMETERS	Metric N	10 - 1000 N
ACCURACY		
Static Error Band, % Rated Output		+/-0.030
Nonlinearity, % Rated Output		+/-0.040
Hysteresis, % Rated Output		+/-0.030
Nonrepeatability, % Rated Output		+/-0.010
Creep, % in 20 minutes		+/-0.025
Zero Balance, % Rated Output		+/-1.0
TEMPERATURE		
Range, Compensated, °F		0 to +125
Range, Compensated, °C		-15 to +50
Range, Operating, °F		-10 to +175
Range, Operating, °C		-25 to +80
Effect on Sensitivity, % Rdg/ °F		+/-0.0010
Effect on Sensitivity, % Rdg/ °C		+/-0.0018
Effect on Zero, % Rated Output/ °F		+/-0.0015
Effect on Zero, % Rated Output/ °C		+/-0.0027
ELECTRICAL		
Rated Output, mV/V, Nominal		2
Excitation Voltage, VDC Maximum		15
Input Resistance, Ohms		350
Output Resistance, Ohms		350
Insulation Resistance, Megohm		5000
MECHANICAL		
Safe Overload Range, % Rated Capacity		+/-1000
Weight lb		0.3
Flexure Material		Aluminum

DIMENSIONS

Model	SCT			
Capacity	2.2, 4.4, 11, 22, 55 lbf	10, 20, 50, 100, 250 N	110, 225 lbf	500, 1000 N
Dimensions	inch	mm	inch	mm
1.	2.00	50.8	2.25	57.1
2.	.50	12.7	1.00	25.4
3.	.85	21.6	1.35	34.3
4.	2.50	63.5	3.0	76.2
5.	1/4 - 28 .37 Deep	M6 X 1 9.4 Deep	1/2 - 20 .54 Deep	M12 X 1.75 13.7 Deep



SLH SERIES LOW HEIGHT S-TYPE LOAD CELLS

FEATURES

- Compact Size
- Tension and Compression
- Accuracy-.05%-.10% of R.O.
- Integral Cable
- 3pt Tension Calibration
- Proprietary Modulus Compensated Strain Gages

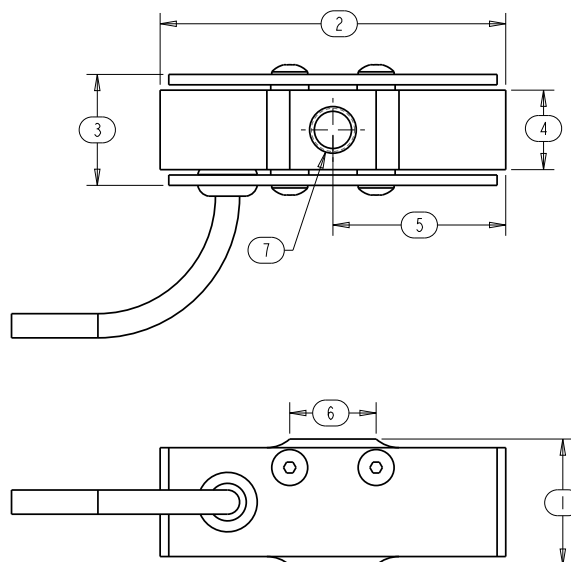


SPECIFICATIONS

Model Capacity	U.S. lbf. Metric	SLH	
		10-300 50N-1.35kN	500, 1K 2.25kN, 4.5kN
PARAMETERS			
ACCURACY			
Static Error Band, % Rated Output		+/-0.050	+/-0.100
Nonlinearity, % Rated Output		+/-0.050	+/-0.100
Hysteresis, % Rated Output		+/-0.050	+/-0.100
Nonrepeatability, % Rated Output		+/-0.030	+/-0.030
Creep, % in 20 minutes		+/-0.050	+/-0.050
Zero Balance, % Rated Output		+/-1.0	+/-1.0
TEMPERATURE			
Range, Compensated, °F		0 to +150	0 to +150
Range, Compensated, °C		-15 to +65	-15 to +65
Range, Operating, °F		-65 to +200	-65 to +200
Range, Operating, °C		-55 to +90	-55 to +90
Effect on Sensitivity, % Rdg/ °F		+/-0.0008	+/-0.0008
Effect on Sensitivity, % Rdg/ °C		+/-0.0015	+/-0.0015
Effect on Zero, % Rated Output/ °F		+/-0.005	+/-0.005
Effect on Zero, % Rated Output/ °C		+/-0.010	+/-0.010
ELECTRICAL			
Rated Output, mV/V, Nominal		2	2
Excitation Voltage, VDC Maximum		15	15
Input Resistance, Ohms		350	350
Output Resistance, Ohms		350	350
Insulation Resistance, Megohm		5000	5000
MECHANICAL			
Safe Overload Range, % Rated Capacity		+/-150	+/-150
Weight lb		0.15	0.15
Flexure Material		Aluminum	

DIMENSIONS

Model Capacity	SLH					
	10 lbf	50 N	25, 50, 100 lbf	115, 225, 450 N	200,300, 500,1K lbf	900N,1.35kN, 2.25kN,4.5kN
Dimensions	inch	mm	inch	mm	inch	mm
1.	.73	18.6	.73	18.6	.98	24.9
2.	1.80	45.7	2.00	50.8	2.12	53.8
3.	.52	13.2	.64	16.3	.90	22.9
4.	.34	8.6	.46	11.7	.72	18.3
5.	.90	22.9	1.00	25.4	1.06	26.9
6.	.50	12.7	.50	12.7	.57	14.5
7.	10 - 32 .20 Deep		1/4 - 28 .25 Deep		3/8 - 24 .38 Deep	



LW SERIES LOAD WASHER

FEATURES

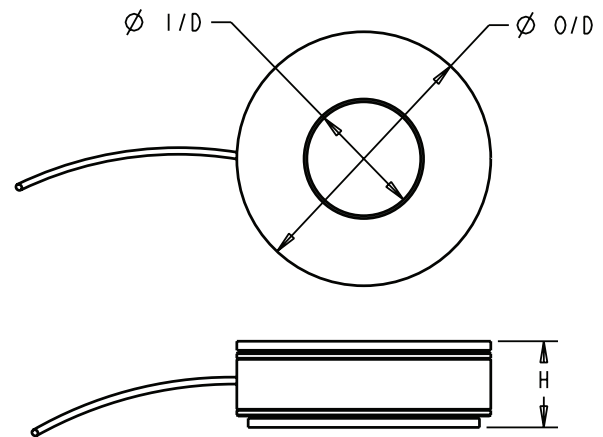
- Compact Size (.5 to 1.12" Dia.)
- Hollow Cylinder
- Integral Cable
- Special Sizes and Capacities Available
- Optional Stainless Steel



DIMENSIONS

Consult Factory

SPECIFICATIONS		
Model	LW	
Capacity	U.S. lbf.	2K - 10K
PARAMETERS		
ACCURACY		
Static Error Band, % Rated Output	+/- 3.000	
TEMPERATURE		
Range, Compensated, °F	+60 to +160	
Range, Compensated, °C	16 to +71	
Range, Operating, °F	-65 to +250	
Range, Operating, °C	-54 to +121	
Effect on Zero, % Rated Output/ °F	+/-0.005	
Effect on Zero, % Rated Output/ °C	+/-0.008	
ELECTRICAL		
Rated Output, mV/V, Nominal	1-3	
Excitation Voltage, VDC Maximum	10	
Input Resistance, Ohms	350	
Output Resistance, Ohms	350	
MECHANICAL		
Safe Overload Range, % Rated Capacity	+/-150	
Weight lb		
Flexure Material	Steel	



MINATURE REACTION TORQUE (RT) SERIES TORQUE TRANSDUCERS

FEATURES

- Compact Size
- Accuracy-.1% of Rated Output
- Capacities from 25 to 500 lbf-in.
- Integral Cable
- 5pt CW and CCW Calibration
- Proprietary Modulus Compensated Strain Gages
- Metric Capacities Available - Consult Factory

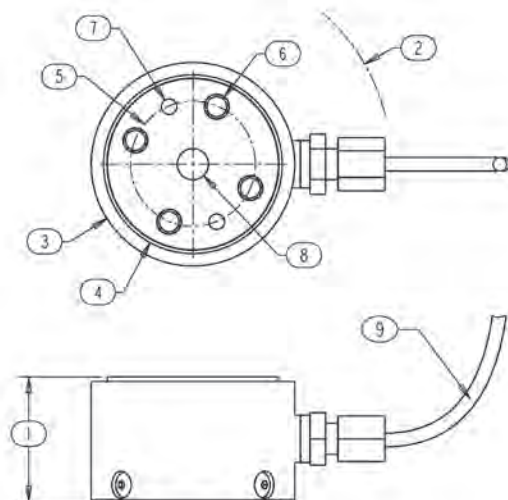


SPECIFICATIONS

Model	RT
Capacity U.S. lbf-in.	25, 50, 100, 200, 250, 500
PARAMETERS	
ACCURACY	
Nonlinearity, % Rated Output	+/-0.100
Hysteresis, % Rated Output	+/-0.100
Nonrepeatability, % Rated Output	+/-0.050
Creep, % in 20 minutes	+/-0.100
TEMPERATURE	
Range, Compensated, °F	+15 to +115
Range, Compensated, °C	-10 to +45
Range, Operating, °F	-65 to +200
Range, Operating, °C	-55 to +90
Effect on Sensitivity, % Rdg/ °F	+/-0.0010
Effect on Sensitivity, % Rdg/ °C	+/-0.0018
Effect on Zero, % Rated Output/ °F	+/-0.0020
Effect on Zero, % Rated Output/ °C	+/-0.0036
ELECTRICAL	
Rated Output, mV/V, Nominal	2
Excitation Voltage, VDC Maximum	15
Input Resistance, Ohms	350
Output Resistance, Ohms	350
Insulation Resistance, Megohm	5000
MECHANICAL	
Safe Overload Range, % Rated Capacity	+/-150
Weight lb	0.15
Flexure Material	Aluminum
Overhung Moment, lbf-in Maximum	12.5, 25, 50, 100, 125, 250

DIMENSIONS

Model	RT
Capacity	25, 50, 100, 200, 250, 500
Dimensions	inch
1.	1.00
2.	R 1.54
3.	1.64
4.	1.38
5.	1.00
6.	10-32 UNF 2B
7.	.125 +/- .0005
8.	.251 +/- .001 Thru
9.	10 ft Conductor Cable with Pig Tails



INSTRUMENTS INTRODUCTION

INSTRUMENTS		
	Model	Page
High Precision Indicator	9150	52
High Precision Indicator	9150-X-300	53
Sealed Indicator	7120	55
Portable Indicator	7230	56
Strain Gage Amplifier	SGA	58
LOAD CELL SIMULATORS		
Reference Std. Simulator	TS-10-2	59

9150 HIGH PRECISION INDICATOR

FEATURES

- 24-bit Resolution
- 10-point Linearization
- Linearity of 0.005% of Full Scale
- Sensitivity of +/-4.5 mV/V
- 2 Channel Transducer Input (Optional)
- Software Selectable Filters
- RS-232, RS-485 or USB Computer Interface
- Stores Calibration Data for up to 25 Load cells



SPECIFICATIONS	
Model	9150-1 Single Channel 9150-2 Dual Channel
PARAMETERS	
PERFORMANCE	
Power Requirements	115 VAC, 60Hz/ 230 VAC, 50Hz
Excitation	5VDC or 10 VDC software/auto selectable
Current Drive	180 mA at 5 VDC or 10 VDC
Push Button Shunt	Yes
Internal Shunt Resistor	1 standard, 2 optional. Rear panel selectable
Display Values	-999,999 through 999,999
Calibration Method	Shunt, mV/V, Known Load
Push Button Tare	100% of range--display and analog output
Sensitivity Adjust	1 mV/V to 4.5 mV/V
Accuracy	0.01% of full scale +/- digital count
CMRR	115 dB
TRANSDUCER CHANNELS	
Number of Channels	9150-1 Single, 9150-2 Dual
D/A ANALOG OUTPUT	
Full Scale Output	+/- 10 VDC nominal +/- 0.5 VDC
Linearity	0.02% of full scale
Scaling	Gain and offset selected software
Frequency Response	Approx. 15 Hz (plus filtering)
Output Source	Any displayed quantity
DIRECT ANALOG OUTPUT	
Full Scale Output	+/- 8.14 VDC +/- 0.25 VDC
Linearity	0.02% of full scale
Scaling	Fixed with no tare, transducer channel only
Frequency Response	Approx. 1.5 kHz
DIGITAL I/O	
Inputs--Interface	4 optically isolated inputs
Outputs--Quad Limits	4 isolated solid state switches
SERIAL INTERFACE	
RS-232, RS-485	Standard, Optional
USB	Standard
AUTO TRANSDUCER I.D.	
Auto I.D. and Setup	Standard

9150-X-300 HIGH PRECISION INDICATOR

FEATURES

- Ratiometric measurement measures true mV/V
- Resolution 0.00001 mV/V
- Display mV/V or physical units
- Stores calibration data for up to 25 load cells
- 10-point linearization
- Special high performance unit
- Linearity of 0.003% of full scale
- Sensitivity of +/-4.5 mV/V
- 1 or 2 channel transducer input and display
- RS-232, RS-485 or USB Computer Interface
- Software selectable filters



The Model 9150-X-300 is a high performance version of the standard Model 9150 featuring higher accuracy, stability and lower temperature errors.

SPECIFICATIONS

Model	9150-1-300 Single Channel 9150-2-300 Dual Channel
PARAMETERS	
PERFORMANCE	
Power Requirements	115 VAC, 60Hz/ 230 VAC, 50Hz
Excitation	5VDC or 10 VDC software/auto selectable
Current Drive	180 mA at 5 VDC or 10 VDC
Push Button Shunt	Yes
Internal Shunt Resistor	1 standard, 2 optional. Rear panel selectable
Display Values	-999,999 through 999,999
Calibration Method	Shunt, mV/V, Known Load
Push Button Tare	100% of range--display and analog output
Sensitivity Adjust	1 mV/V to 4.5 mV/V
Accuracy	0.003% of full scale +/- digital count
CMRR	115 dB
TEMPERATURE	
Effect on Zero	0.005%/C
Effect on Output	0.005%/C
TRANSDUCER CHANNELS	
Number of Channels	9150-1-300 Single, 9150-2-300 Dual
D/A ANALOG OUTPUT	
Full Scale Output	+/- 10 VDC nominal +/- 0.5 VDC
Linearity	0.02% of full scale
Scaling	Gain and offset selected software
Frequency Response	Approx. 15 Hz (plus filtering)
Output Source	Any displayed quantity
DIRECT ANALOG OUTPUT	
Full Scale Output	+/- 8.14 VDC +/- 0.25 VDC
Linearity	0.02% of full scale
Scaling	Fixed with no tare, transducer channel only
Frequency Response	Approx. 1.5 kHz
DIGITAL I/O	
Inputs--Interface	4 optically isolated inputs
Outputs--Quad Limits	4 isolated solid state switches
SERIAL INTERFACE	
RS-232, RS-485	Standard, Optional
USB	Standard
AUTO TRANSDUCER I.D.	
Auto I.D. and Setup	Standard

7230 PORTABLE STRAIN DISPLAY LOAD CELL INDICATOR

FEATURES

- Portable Handheld Instrument
- Powered by 2 AA Internal Batteries
- Environmentally Sealed to IP65/NEMA 4
- Dual Range Selection
- 7 1/2 Digit LCD Display
- Optional RS-232 Computer Interface



SPECIFICATIONS	
Model	7230
PARAMETERS	
PERFORMANCE	
Full Scale	Selectable
Resolution (Bits)	24 bits
Resolution (Counts)	250,000 counts/divisions @ 1Hz sample rate
Resolution (Counts)	65,000 counts/divisions @ 10 Hz sample rate
Temp. Effect on Zero	0.05% FS per 100 degree C
Temp. Effect on Span	0.07% FS per 100 degree C
Non-Linearity	0.005% FS
Off-Set Stability	0.008% FS
Gain Stability	0.01% per year
Excitation Voltage	5.2 Vdc
Battery Life	45 hours continuous operation
Update Rate	10 mS to 2s including peak/valley hold rate
ELECTRICAL	
Power Input	12-26 VAC/12-36 VDC
Electrical Connection	5 pin binder socket (mating plug supplied).
INDICATION	
Display Type	7 1/2 digit LCD display, 8.8mm high digits
Decimal Resolution	1 part in 250,000 at 1s update
Annunciators	Low battery warning, peak, trough, hold, net, shunt cal, range, by LCD annunciators
ENCLOSURE	
Material	ABS, dark grey (optional carrying case)
Width	90 mm
Height	152 mm
Depth	34 mm

7120 SEALED GENERAL PURPOSE INDICATOR

FEATURES

- Sealed Enclosure for Harsh Environments
- 20-bit Resolution
- 10-point Linearization
- Lb and Kg Measurement Units
- RS-232 Computer Interface
- Peak Hold



SPECIFICATIONS	
Model	7120
PARAMETERS	
PERFORMANCE	
Full Scale	Selectable
Resolution	100,000 displayed (+/- 500,000)
A/D Conversion	60 Hz
Non-Linearity	0.005% FS
Zero Track	0.05-20.0 displayed divisions
Zero Range	Selectable to 100%
Display Units	Selectable
Calibration	Selectable, up to 10 multi-point calibration
Division Size	0.00001 through 500
ELECTRICAL	
Power Input	90-250 VAC, 50-60 Hz, 10-32 VDC
Fuse	0.8 Amp time lag
LOAD CELL INPUT	
Connections	4 lead or 6 lead with sense
Power	(12) 350-ohm cells
Signal Range	0.1 to 20 mV/V
Excitation	10 VDC with short circuit protection
Current	400 mA maximum
COMMUNICATIONS	
Computer Interface	RS-232 serial port
Baud Rate	Selectable
Protocal	Selectable
Formatting	Selectable
DISPLAY	
Display Type	Vacuum fluorescent
Decimal Point	Selectable
Display Values	-99,999 through 999,999
ENCLOSURE	
Material	Stainless Steel
Width	11 in (279 mm)
Height	9 in (228 mm)
Depth	4.4 in (112 mm)

SGA/A & SGA/D STRAIN GAGE AMPLIFIER

FEATURES

- 10V Excitation for up to 4 x 350R Bridges
- Adjustable Sensitivity 0.1 to 30 mV/V
- User Selectable Analog Output
- Simultaneous Voltage and Current Output
- Direct Connection to PLC, Display, Instrument
- LVDT Version Available



SPECIFICATIONS	
Model	SGA
PARAMETERS	
PERFORMANCE	
Power Supply (SGA/A)	110/230 V AC
Power Supply DC	18-24 V DC
Power Supply Current	200 mA
Bridge Excitation	10 V (350R Strain Gage)
Bridge Resistance	85 Ohms
Bridge Sensitivity (Switchable)	0.06 Min - 29 Max mV/V
Gain Adj. (Pot-fine adj.)	0.06 Min - 1.0 Max mV/V
Offset Adj. (Pot-fine adj.)	-1.25 Min - 1.25 Max %FS
Offset Adj. (Switchable-course adj.)	+/-1.25 Min - +/-79 %FS
Output Load (Voltage output)	2 mA
Output Load (Current output)	0 - 500 Ohms
Temp. Effect on Zero	0.09% FS /100 degrees C
Temp. Effect on Span	1.0% FS /100 degrees C
Non-linearity	0.03% % FS
Gain Stability	0.2% FS (1st 1000 hrs)
Output Load Stability Gain (0-100%)	.01% FS
Output Load Stability Off-set (0-100%)	.01% FS
Power Supply Reject. Gain (0-100%)	.01% FS
Power Supply Reject. Offset (0-100%)	.01% FS
Operating Temperature Range	-20 - 50 degrees C
Humidity Range	0-95%

TRANSDUCER SIMULATOR

FEATURES

- High Accuracy Calibration Standard
- Output stability of less than 15ppm over 1 year
- Low Temperature Coefficient
- Available in multiple configurations

Description:

Our Transducer Simulator reference standards provide metrology grade bridge simulation. The bridge simulator provides calibrated inputs to a load cell indicator to verify and calibrate the instrument.



SPECIFICATIONS

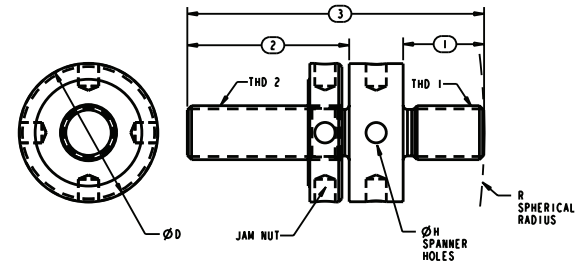
Model	TS-10-2	TS-2-2	TS-2-3	TS-2-4
PARAMETERS				
PERFORMANCE				
Output Settings, +/- mV/V	0.0, 0.1, 0.5, 1.0, 1.5, 2.0, 2.5, 3.0, 3.5, 4.0, 4.5	0.0, 2.0	0.0, 3.0	0.0, 4.0
Excitation Voltage	10 VDC, Recommended			
I/O Resistance Ohms	350 +/-0.005% at Zero Settings >348 at All Output Settings			
Output at Zero Setting	<0.5 μ V			
Error in Nominal Output Values	<0.03% at 0.1 mV/V <0.015% at 0.5 - 4.5 mV/V	<0.015% at 2.0 mV/V	<0.015% at 3.0 mV/V	<0.015% at 4.0 mV/V
Error in Calibrated Value of Output Settings	<15 ppm / year typical			
Temperature Coefficient of Output	<5 ppm / degree C			
Measurement Uncertainty of Charted Values	0.00063%			
Dimensions				
Length, Enclosure, inches	7.4	4.6	4.6	4.6
Length, Overall, inches	7.6	5.6	5.6	5.6
Width, Enclosure, inches	3.3	2.3	2.3	2.3
Width, Overall, inches	4.2	3.1	3.1	3.1
Height, Enclosure, inches	4.8	3.6	3.6	3.6
Height, Overall, inches	4.8	5.3	5.3	5.3

FEATURES

• Tovey Engineering manufactures precision thread adaptors, fixtures, cables and connectors. They're designed specifically for use with load cell applications. Design considerations incorporate the appropriate material, heat treat, and exact tolerances required for applied load and to maintain proper alignment. Standard configurations shown- Consult factory for alternate thread sizes and custom applications.

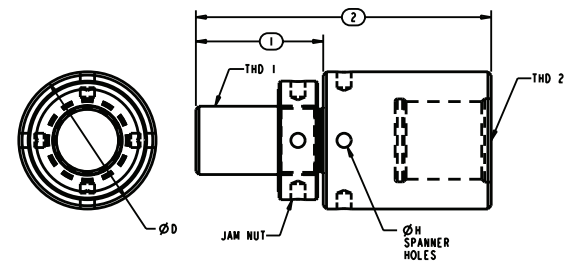
CALIBRATION ADAPTERS

PART NUMBER	MALE THREAD SIZE	JAM NUT	DIMENSIONS				
			D	L1	L2	L3	R
TAMM-100	1/2-20	JN-100	1.28	.75	1.50	2.75	4
TAMM-101	5/8-18	JN-101	1.28	.75	1.57	2.82	4
TAMM-102	1-14	JN-102	2.00	1.50	2.15	4.15	6
TAMM-103	1 1/4-12	JN-103	2.00	1.50	2.32	4.32	6
TAMM-104	1 3/4-12	JN-104	2.75	1.75	3.26	5.52	6
TAMM-105	2 3/4-8	JN-105	3.50	2.50	5.03	8.28	12
TAMM-106	4-8	JN-106	7.00	3.50	7.25	12.25	20
TAMM-120	6-8	JN-120	9.50	4.70	10.44	16.64	20



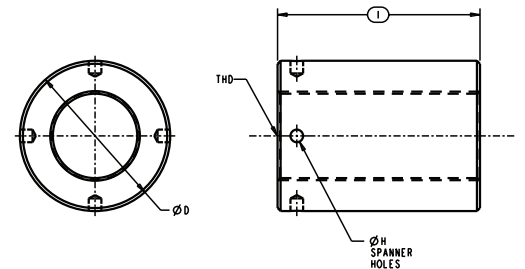
THREAD ADAPTERS

PART NUMBER	THREAD SIZE		JAM NUT	DIMENSIONS		
	MALE	FEMALE		D	1	2
TAMF-100	1/2-20	1/2-20	JN-100	1.29	1.50	2.94
TAMF-101	5/8-18	5/8-18	JN-101	1.24	1.57	3.07
TAMF-102	1-14	1-14	JN-102	2.00	2.15	4.65
TAMF-103	1 1/4-12	1 1/4-12	JN-103	1.97	2.32	4.82
TAMF-104	1 3/4-12	1 3/4-12	JN-104	3.17	3.30	6.80
TAMF-105	2 3/4-8	2 3/4-8	JN-105	3.95	5.03	9.03



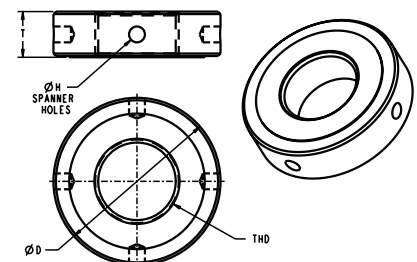
COUPLERS

PART NUMBER	FEMALE THREAD SIZE	DIMENSIONS		
		D	1	H
TAFF-099	1/4-28	.47	1.00	.42 flat
TAFF-100	1/2-20	1.22	2.00	3/16
TAFF-101	5/8-18	1.36	2.00	3/16
TAFF-102	1-14	1.97	3.25	1/4
TAFF-103	1 1/4-12	2.22	3.25	1/4
TAFF-104	1 3/4-12	3.00	4.00	1/4
TAFF-105	2 3/4-8	5.00	5.50	3/8
TAFF-107	1 1/2-12	3.00	4.00	1/4



JAM NUTS

PART NUMBER	THREAD SIZE	DIMENSIONS		
		D	T	H
JN-100	1/2-20	1.29	.31	3/16
JN-101	5/8-18	1.29	.38	3/16
JN-102	1-14	2.00	.55	3/16
JN-103	1 1/4-12	2.16	.72	1/4
JN-104	1 3/4-12	3.17	.97	1/4
JN-105	2 3/4-8	4.75	1.58	3/8
JN-106	4-8	7.00	2.188	3/8
JN-120	6-8	9.50	4.75	1/2-13



LOAD BUTTONS

PART NUMBER	THREAD SIZE	FIGURE	DIMENSIONS			
			H/D	1	2	R
LB-099	1/4-28	1	0.44	0.63	0.15	2
LB-100	1/2-20	1	0.75	1.05	0.30	4
LB-101	5/8-18	1	0.94	1.41	0.41	4
LB-102	1-14	1	1.50	2.1	0.61	4
LB-103	1 1/4-12	2	2.25	2.38	0.88	6
LB-104	1 3/4-12	2	3.75	3.34	1.34	6
LB-105	2 3/4-8	2	4.00	3.40	1.40	12
LB-106	4-8	2	7.89	4.39	2.89	20
LB-107	1 1/2-12	2	3.95	3.50	1.50	6

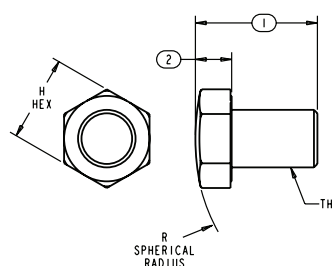


Figure 1

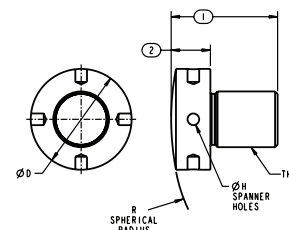
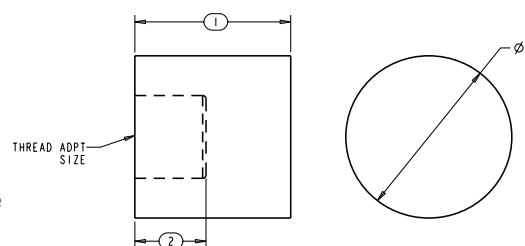


Figure 2

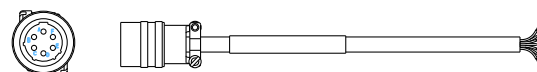
COMPRESSION PLATE

PART NUMBER	THREAD SIZE	DIMENSIONS		
		D	L1	L2
CP-100	1/2-20	1.47	1.38	.63
CP-101	5/8-18	1.47	1.38	.63
CP-102	1-14	2.00	2.00	.63
CP-103	1 1/4 -12	2.00	2.00	.63
CP-104	1 3/4 -12	2.50	2.25	.75
CP-105	2 3/4 -8	4.00	2.50	.75
CP-106	4 -8	6.00	3.75	.75

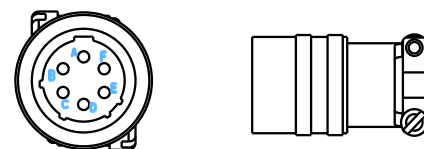
• Used for compression loading, Compression Plates are used in conjunction with installed TAMM Calibration Adapters. Contacting the spherical end on the adapter, the CP is a hardened interface that is free to swivel on the TAMM, spreading the load, and allowing for compensation of non-parallel loading surfaces.

**INSTRUMENT CABLES**

PART NUMBER	DISCRIPTION
CBL-101-10	Interconnect Cable, 7 wire to 4 pins, MS3116F-10-6S to pigtail, 10'
CBL-102-10	Interconnect Cable, 7 wire to 6 pins, MS3116F-10-6S to pigtail, 10'
CBL-108-10	Interconnect Cable, 7 wire, MS3116F-10-6S to 9150 instrument, mating connector, 6-4 adaption made on MS3116 connector, 10'
CBL-120-10	Interconnect Cable, 7 wire, MS3116F-10-6S to 9150 instrument, mating connector, 10'
CBL-123-10	Serial Cable, 9150 instrument (DB-15) to computer (DB-9), 10'
CBL-135-10	Interconnect Cable, 7 wire to 6 pins, MS3116F-10-6S to 7230 Instrument

**MATING CONNECTORS**

PART NUMBER	DISCRIPTION
MC-100	MS3116F-10-4S (PT06A-10-6S)-SR, mating connector
MC-200	MS3112E-10-6P (PT02E-10-6P), load cell connector
MC-201	Bendix PC04E-10-6P, load cell connector
MC-101	Bendix PC06W-10-6S, mating connector



FEATURES

- Tovey Engineering provides standard and customized Pelican-Hardigg™ cases for all load cell and instrumentation requirements. Complex foam cushioning can be provided to accommodate any load cell, instrument, fixturing, cabling or combination thereof.
- Consult Factory for more information.



DIMENSIONS

Dimensions	Length Inches	Width Inches	Case Depth Inches	Lid Depth Inches	Load Cells
Models					
TC-10	10	10	6	4	Series 10
TC-20	10	10	6	4	Series 20
TC-22	10	10	9	4	Series 22
TC-30	14	13	10	5	Series 30
TC-40	20	20	13	5	Series 40
TC-5060	29	14	9	5	5060
TC-5160	12	12	4	4	5160
TC-5180	16	16	5	4	5180
TC-5240	12	12	4	5	5240

OPTIONS

Tovey Engineering offers the following load cell options:

- **Additional Bridges:** Additional bridges provide separate independent electrical measurement circuits, producing isolated measurement outputs. Additional bridges are often used for measurement redundancy or control. Dual bridges are commonly used; occasionally, triple or quad bridges are used. Most Tovey models accommodate additional bridges.
- **Output Adjustment to Standard Value:** Typical variation in load cell output may fall between +/- 10% of the nominal specified output. If desired, the load cell sensitivity can be adjusted to within +/- 0.1% of the nominal output.
- **Compression Overload Protection:** Typical safe overload values are in the range of 150%-200% of rated load cell output. On Tovey Shear Web models, overload protection to 500% of rated load can be provided by carefully controlling the clearance gap between the load cell hub and base. Some other model types, including the SCT S-cell, are specially designed to be tolerant of overload situations.
- **Integral Cable:** In some cases, it may be desirable to have an integral cable rather than a connector on a load cell. Substitution of a cable is possible for most Tovey load cell models.
- **Custom Connectors:** Many customers have adopted standard connectors for use in their facilities. In most cases, these special connectors can be placed on Tovey load cells in place of standard connectors.
- **TEDS (Transducer Electronic Data Sheet):** Electronic identification is available for most Tovey load cell models. Identification is compatible with IEEE 1451.4 TEDS standards.
- **On-Board Electronics:** Optional on-board electronics are available on most Tovey load cell models. Electronic modules are available providing bi-polar voltage output, current output, and serial digital output.
- *Male and Female Threads:* Every item has the capabilities to have either a male or female threads.

ALIGNMENT AND DYNAMIC VERIFICATION TRANSDUCERS

FEATURES

- Tovey Engineering makes alignment and dynamic verification transducers to support the materials testing industry.

- Alignment transducers are made to use in machine alignment to minimize the imposition of bending strains and stresses on specimens under test. These transducers are made to closely simulate specimens used for materials testing. TEI can manufacture the specimens or instrument specimens furnished by the customer. Alignment transducers typically have eight to twelve strain gages placed on the test section to allow the bending induced in the specimen by the machine and grip fixtures to be measured. Machine components are then adjusted to bring the alignment into appropriate bounds. Our alignment transducers meet the requirements of ASTM E1012, *Verification of Test Frame and Specimen Alignment Under Tensile and Compressive Axial Force Application*.



- Dynamic verification specimens are used to determine the range of frequencies the testing machine can be operated over while maintaining accurate force measurement with a given specimen geometry and fixtures. These parts are instrumented as full bridge transducers. The correlation between the machine load cell and dynamic verification transducer is determined quasi-statically. The machine is then operated at increasing frequencies of load application until the machine load cell and the verification transducer differ in output by the allowable error (typically 1%). This frequency sets the upper bound of the frequency spectrum over which the machine can be operated in that configuration.

- We offer custom transport cases and can supply fixtures for the transducers. We work closely with the customer to design custom made transducers to satisfy each application.

COMPONENT STRAIN GAGE SERVICE

FEATURES

Tovey Engineering offers strain gaging services to the industry including engineering the project, installing strain gages, wiring the circuit, installing appropriate protective coatings, and testing for function.

Tovey will perform services in our facility when possible or do field installations when necessary. The same standards and methods used for Tovey transducer manufacture are used in component gaging, resulting in high quality, reliable strain gage installations.

Motor cycle Brake Lever instrumented to measure bending strain. Typical of many automotive and aerospace vehicle component strain gage jobs.



On-site installation of strain gages on the nose gear drag length of a Boeing 747. The drag length was instrumented as a full bridge transducer to measure towing force applied to the landing gear during towing. Calibration was performed using a Tovey fatigue rated 100 klbF load cell installed in a modified tow bar.

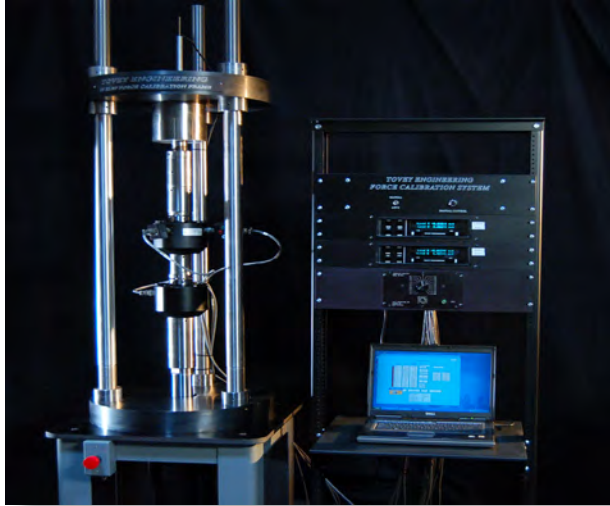
Strain gage installation on the Mars Science Lab in a clean room environment. In total 600 strain gages were installed over a 6 month period as assembly was completed on the Mars Science Lab Cruise Stage structure, Descent Stage structure, and Rover component parts. Some of the work was performed at the Tovey facility, but much of the work was done on-site.



AUTOMATED FORCE CALIBRATION SYSTEMS

Tovey Automated Systems.

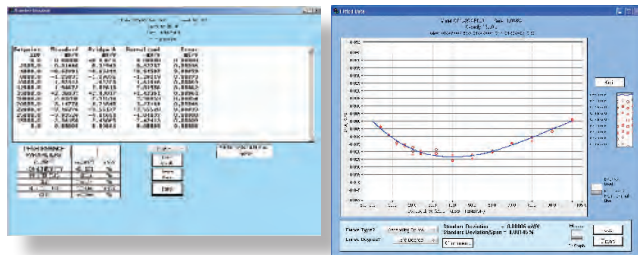
Tovey Engineering (TEI) is the industry leader in automated transfer standard force calibration systems. TEI systems have been engineered over more than a 10-year period to achieve very low uncertainties with maximum ease-of-use for cal lab personnel.



55K lbf System

Tovey systems are designed specifically for metrology grade calibration, rather than being modified test systems. All key system components are manufactured by the company in-house to meet exacting standards for metrology use. Reliability is excellent, and alignment is second to none. TEI systems closely approximate results from deadweight calibrators.

TEI developed the first automated systems on the market to enable efficient, high accuracy calibration and we continue to engineer system products for maximum performance. Customer feedback has been extremely positive.



10 Point Calibration Data

Tension Error Data

System Features:

- Systems include load frame, transfer standard load cells, hydraulic power unit, automated control, and data analysis software.
- Durable multi-column load frames exhibit high frame stiffness, highly symmetric stiffness, and exceptional alignment.
- Universal fixturing allows tension and compression calibration without changeover.
- Systems feature Tovey CS Series metrology grade transfer standards, which meet the highest performance standards of any load cell manufacturer.
- Systems enable fully automated calibration, exercise transducers automatically with specified forces and number of cycles.
- Calibrate transducers in load sequences using up to thirty different load points with simultaneous measurement of up to three bridges (standard) or up to 8 bridges (optional).
- Automated closed-loop system calculates performance parameters and performs data evaluations per ASTM E74 and/or ISO 376.
- Model 9150 ratio-metric instruments provide excitation of 5 or 10 Volts, signal conditioning and A to D conversion with 24 bit digital resolution and a useable resolution to < 100 nanovoltz.
- Model TS-10-2 Transducer Simulator with 30ppm measurement uncertainty (1 year) simplifies instrument calibration and provides an instrument check standard.
- Data files and graphs for calibration records are produced and stored.
- Data analysis and output is compliant with national and international standards

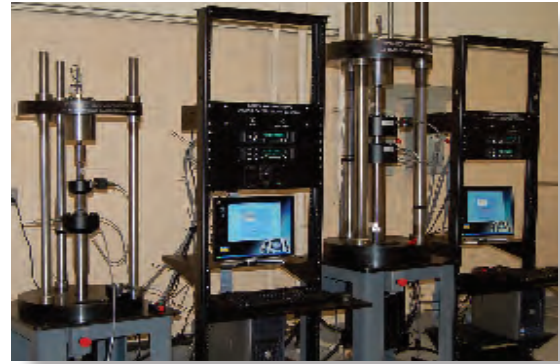


1000K lbf System

ACCREDITATIONS: NVLAP Lab Code 200662-0 • ANSI Z540, ISO/IEC 17025 • ASTM E74, ISO 376

System Capacity and Performance.

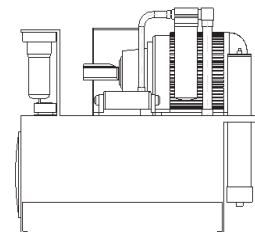
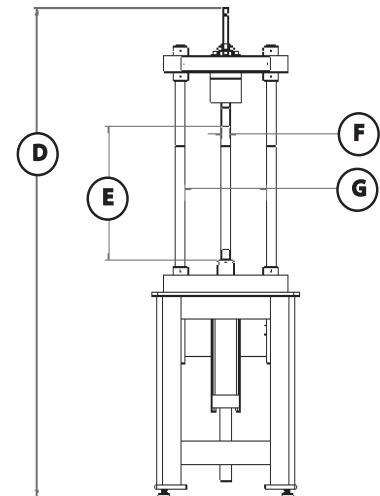
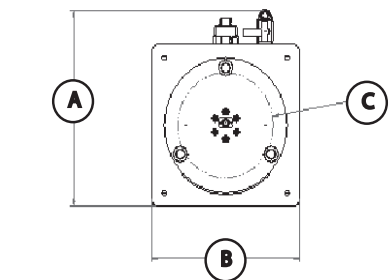
Tovey Engineering transfer standard force calibration systems are available in capacities ranging from 20 lbf to 1 million lbf. These versatile automated calibration systems reduce calibration time and cost, permitting efficient in-house transducer calibration. Systems meet ASTM E74 required measurement uncertainty of applied forces of less than 0.005% of range, or overall measurement uncertainty of 0.025%-0.050% of reading. Systems feature Tovey CS Series metrology grade load cells, with industry leading performance.



11K and 110K lbf System

DIMENSIONS

Load frames 3K-55K				
Capacity		3K	11K	55K
Dimensions				
A	Base Depth	29 in (74 cm)	29 in (74 cm)	29 in (74 cm)
B	Base width	24 in (61 cm)	24 in (61 cm)	24 in (61 cm)
C	Working diameter	12.8 in max (32.5 cm)	15.3 in max (38.9 cm)	14.9 in max (37.9 cm)
D	Overall height	76 in (193 cm)	85 in (215 cm)	98 in (249 cm)
E	Vertical working space	21.5-30.0 in (54.6 cm-76.2 cm)	21.0-30.0 in (53.3 cm-76.2 cm)	29.0-40.0 in (73.7 cm-101.6 cm)
F	Thread size	1/2-20 UNC 3A (Both ends)	1-14 UNS 3A (Both ends)	1 3/4 -12 UN 3A (Both ends)
G	Column opening	10.8 in max (27.4 cm)	13.2 in (33.5 cm)	12.6 in (32 cm)
	Weight of load frame	480 lbs (219 kg)	920 lbs (419 kg)	1,380 lbs (628 kg)
Load frames 110K-1M				
Capacity		110K	220K	1M
Dimension				
A	Base Depth	29 in (74 cm)	34 in (86 cm)	38 in (97 cm)
B	Base width	24 in (61 cm)	34 in (86 cm)	38 in (97 cm)
C	Working diameter	14.5 in max (36.8 cm)	21.0 in max (53.4 cm)	34.5 in max (87.6 cm)
D	Overall height	95 in (242 cm)	117 in (298 cm)	186 in (472 cm)
E	Vertical working space	29.0-38.0 in (73.7 cm-96.6 cm)	28.0-41.0 in (71.2 cm-104.2 cm)	68.5-98.0 in (173.9 cm-248.9 cm)
F	Thread size	1 3/4 -12 UN 3A (Both ends)	2 3/4 -8 UN 3A (Both ends)	6 -8 UN 3A (Head) 5 1/2 -8 UN 3A (Cyl)
G	Column opening	12.2 in max (30.9 cm)	17.9 in max (45.4 cm)	23.5 in max (59.7 cm)
	Weight of load frame	2,000 lbs (907 kg)	4,900 lbs (2,228 kg)	32,000 lbs (14,545 kg)
Hydraulic pump				
	Length	Width	Height	Weight
	44 in (112 cm)	30 in (77 cm)	38 in (97 cm)	660 lbs (300 kg)



CALIBRATION SYSTEMS

TORQUE CALIBRATION SYSTEMS

Tovey Engineering transfer standard torque calibration systems are available in capacities ranging from 200 in-lb to 100,000 in-lb. These versatile automated calibration systems reduce calibration time and cost, permitting efficient in-house transducer calibration.

FEATURES:

- System includes torque frame, transfer standard load cells, hydraulic actuator, automated control and data analysis software.
- Precision torque arm and meticulously machined components.
- Efficient transition from clockwise to counterclockwise calibration.
- True zero deadband measurement.
- Alignment couplings to reduce transducer misalignment errors.
- Metrology grade transfer standards with industry leading accuracy, or dead weight hangers and weights for primary standard torque calibrations.
- Fully automated calibration; exercise transducers automatically with specified forces and number of cycles.
- Comprehensive software for data acquisition and data reduction.
- Data files and graphs for calibration records are produced and stored.
- Data analysis and output is compliant with national and international standards.



6,000 in-lb System

DEADWEIGHT FORCE CALIBRATION SYSTEMS

Tovey Engineering offers fully automated, as well as manually operated, deadweight calibration systems. Designed specifically for the most stringent calibration labs, university settings, and government facilities, these systems provide the most accurate calibration of load cells in both tension and compression. System capacities available from 50 lbf to 10K lbf.



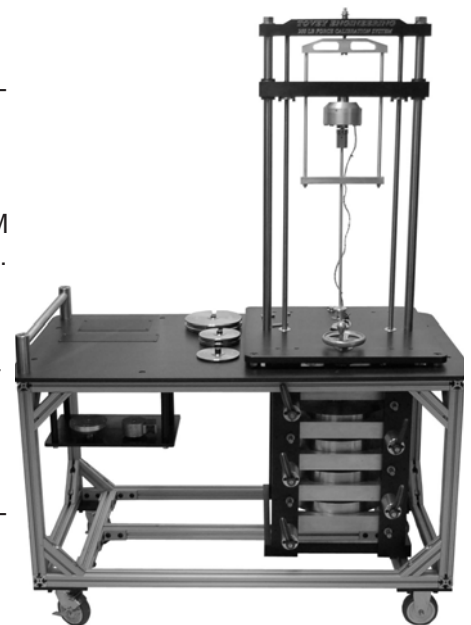
Deadweight Rig

Features:

- System includes load frame, certified weight stack, pneumatic hand operated or automated control system, data acquisition and analysis software.
- Accurate to as low as .002% of applied force (acceptable for ASTM Class AA calibration requirements).
- Easy setup hardware allows tension and compression calibration.
- Automated data acquisition, analysis, and storage.
- Simple file export and report writing.
- Data analysis and output is compliant with national and international standards.

Options include:

- Wide variety of mounting adapters.
- Metric capacities.



Portable Deadweight Rig

/// MANUAL FORCE CALIBRATION SYSTEMS

Tovey Engineering now offers a very economical, manually operated calibration system. Designed specifically for smaller calibration labs, these systems provide accurate calibration of load cells in both tension and compression. Capacities available from 2klbf to 100klbf.

Features:

- System includes load frame, transfer standard load cells, hydraulic hand operated pump, data acquisition and analysis software.
- Universal fixture hardware allows tension and compression calibration without changeover.
- Easy setup and operation.
- Automated data acquisition, analysis, and storage.
- Simple file export and report writing.
- Data analysis and output is compliant with national and international standards.

Options available include:

- Hydraulic power unit.
- Wide variety of mounting adapters.
- Metric capacities.
- Custom designs- based on customer specific application needs.



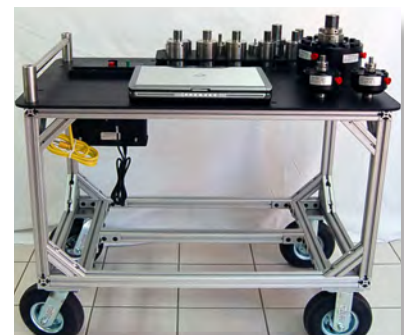
Manual System with Manual Pump



Manual System with Hydraulic Pump

/// PORTABLE CALIBRATION SYSTEMS

Tovey provides self-contained mobile platforms for remote system verification with reference standard load cells and/or dead weights. These systems provide everything an operator needs to perform a verification at a testing machine or in a stress lab test cell. Portable systems include several reference load cells, cables, fixtures, an instrument, a load cell simulator and a laptop computer. Systems are calibrated at the factory as an integrated unit. Software is provided to acquire data and verify that the system under test produces measured forces within a specified tolerance band. The calibration system also provides a measurement of non-repeatability. Tovey's portable systems are often used to perform verifications consistent with ASTM E4 or other requirements. Push cart or carry case formats are available.



System Accessories Cart

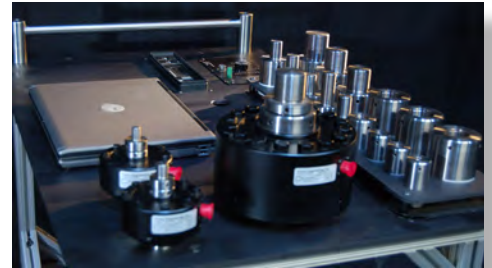
/// CALIBRATION ACCESSORIES

/// SHUNT CALIBRATION PRODUCTS

Shunt calibration is often used to provide a means of setting up an instrument in the field. Tovey offers two options to meet this need. An automated shunt cal module features four separate shunt calibration values. Any number of these resistor values can be switched into the circuit in sequence or used individually. This instrument is capable of performing shunt calibration on single, double, or triple bridge load cells simultaneously and in a fully automated manner. A lower cost option consists of shunt calibration adapters that attach directly to the connector of the unit under test.

/// CALIBRATION ACCESSORIES

- **Adapters and Loading Fixtures.** Tovey manufactures a wide variety of standard thread adapters and custom made fixtures to satisfy the requirements of our customers. All parts are heat treated to provide high strength and wear resistant surfaces and are engineered to provide excellent alignment. Premium materials are utilized in manufacture. Rod end bearings, clevises, compression load plates, and special adaptors for many applications are available.
- **Rotation washers** are designed to provide for rotation of the unit under test for ASTM E-74 /ISO 376 calibrations. These washers allow precise rotation of the unit under test and permit quick setups for significant time savings.



System Accessories

/// SYSTEM ALIGNMENT VERIFICATION

- **Alignment dynamometers.** Tovey alignment dynamometers permit high accuracy misalignment measurement. Dynamometers have three or four strain gages equally spaced around the circumference of the part at either two or three axial positions. When installed in a load frame and a force is applied, readings from the individual strain gages can be used as a measure of misalignment, providing a quantitative measure of that misalignment.
- **Multi-axis load cells** measure force and moment in orthogonal planes. The moment readings from these load cells provide information that permits alignment adjustments to be made and also quantifies the amount of moment that may be applied along with the axial force. Tovey's standard and special multi-axis load cells are among the world's most accurate.



Dynamometers

/// CALIBRATION SERVICES

/// CALIBRATION SERVICES

Tovey Engineering offers accredited force transducer calibration from 1 gf to 1 million lbf. and primary torque calibration to 10,000 in-lb. State-of-the-art calibration facilities include both deadweight and servo-controlled hydraulic transfer standard calibration rigs. Force calibrations are performed in compliance with ISO 17025 requirements (under NVLAP Lab Code 200662-0), and meet the requirements of NIST Handbook 150, ISO/IEC 17025 and ANSI Z540.

Experienced Staff, Quick Turnaround

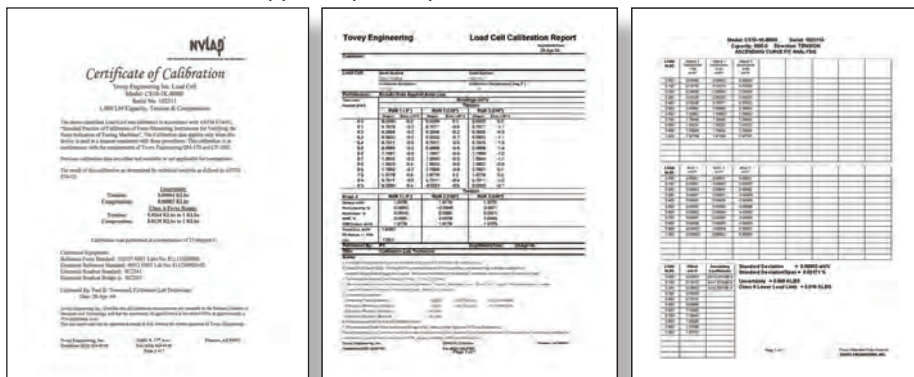
Calibrations are performed by experienced and knowledgeable technical staff. The calibration lab is overseen by the current Chairman of ASTM Committee E28.01 for calibration of load cells and testing machines, a NV-LAP Technical Expert in force calibration. All force calibrations are performed quickly and efficiently to minimize customer downtime.



ACCREDITATIONS:
 NVLAP Lab Code 200662-0
 ANSI Z540, ISO/IEC 17025
 ASTM E74, ISO 376

/// CALIBRATION REPORTS

Customers receive comprehensive reports with calibration data presented in both graphical and tabular form. All data analysis and output is compliant with national and international standards. As an example, a standard E74 report package includes a Certificate of Calibration, a Calibration Report, a curve fit analysis report and associated graphs for tension and compression. Additional graphical representations of calibration data can be supplied upon request.



TERMS AND CONDITIONS OF SALE AND WARRANTY

Terms and conditions of sale and warranty

The conditions stated below shall constitute an integral part of an agreement between a buyer ("buyer") and tovey engineering, inc. ("Tovey engineering" or "the corporation") for purchase of any tovey engineering product.

- 1. Warranty** - Products manufactured or offered for sale by tovey engineering, inc. (The corporation) are guaranteed free from defects in material or workmanship to the original purchaser for a period of 2 years for force transducers, 1 year for other manufactured parts, and manufacturer's warranty period for components, computers and other resale items from the date of shipment, when products are properly used and correctly installed. The corporation's liability is limited to the repair or replacement of products found by our inspection to be defective upon receipt f.O.B our factory. In no event shall the corporation be liable for incidental or consequential damages. These express warranties supercede any and all other warranties, express or implied, including implied warranty of merchantability or fitness for a particular purpose. No agent or representative is authorized to assume for the corporation any liability except as above set forth.
- 2. Acceptance** - All orders based on this quotation shall be subject to the corporation's approval and acceptance as to quantity, delivery, and other conditions not herein set forth. Orders will be accepted only on the terms and conditions expressed herein, modifying or additive terms and conditions on the customer's purchase order notwithstanding.
- 3. Taxes** - The amount or amounts of taxes or other governmental charges upon production, sale and/or shipments of the goods sold hereunder, now imposed by any government authority or hereafter becoming effective, shall be paid by the purchaser.
- 4. ERRORS IN PRICE** - Prices quoted shall be subject to correction for errors.
- 5. CANCELLATION** - Orders accepted shall not be subject to cancellation except on terms that shall protect the Corporation from loss.
- 6. RETURN OF MATERIALS** - Materials may be returned for credit only after authorization has been obtained from the Corporation, and shall be subject to handling charges to be determined by the Corporation. Materials that are manufactured to special order are shipped without privilege of return.
- 7. SHIPMENTS AND DELIVERY** - Shipping dates are approximate and based upon prompt receipt of all necessary information by the Corporation. The Corporation shall not be liable for delays in manufacture or delivery of its products. While every effort will be made to ship products on time, the Corporation assumes no liability for loss, damage, or consequential damages due to delays. All goods are shipped at the purchaser's risk. While every reasonable precaution is taken in packing, the Corporation is NOT RESPONSIBLE for goods damaged or lost in transit. Claims to recover such loss must be filed with the carrier by the purchaser.
- 8. CONDITIONS OF CREDIT** - The credit terms are payment in full within (30) days from invoice date. Any unpaid balances after said period shall be subject to a finance charge. In consideration of the agreement of TEI to extend credit to Applicant, Applicant, by its duly authorized officer, partner or owner, agrees that Applicant will pay interest at the rate of 1 1/2 % per month and also agrees to pay all court cost and attorney's fees shall be greater of (a) the number of hours worked by the attorney's times a reasonable hourly fee of (b) an amount equal to the percentage contingent fee which TEI has agreed to pay its attorney's fees for collection of amounts due and owing in cases of this kind, a copy of which contingent fee agreement is on file in the main offices of TEI and is available upon request. No part of this agreement may be waived or modified except by written document duly signed by an authorized officer or owner or both creditor and customer.